

NNY12 Series Emergency Light

12 Volt Emergency Operation

Navilite™



Features

- Rugged, heavy duty design
- Durable 20 gauge steel housing and faceplate
- Supplied with three 12V, 12W thermoplastic lighting heads
- Dual voltage 120/277VAC
- Solid state charging and switching
- Brownout protection
- Battery low voltage disconnect
- AC power indicator and test switch
- Maintenance-free 6V sealed lead calcium batteries connected in series to deliver 12V

Mounting

Keyhole slots and J-box mounting holes provided for simplified wall mounting



Applications

Navilite NNY12 Series New York Emergency Lights are designed for efficiency and ease of installation. Their rugged design meets New York City standards and provides dependable operation. The units are completely self contained and fully automatic.

Code Compliance

- UL 924
- NFPA 101 Life Safety Code Compliant
- NEC and OSHA Compliant
- New York City Approved
- Calendar No. 46932

Ordering Information

Catalog Number	Finish	Output Voltage	Lamp Wattage	Rated Output Watts			
				1 1/2 hrs.	2 hrs.	4 hrs.	8 hrs.
NNY1250WH3	White	12V	3 x 12W	50	37	-	-

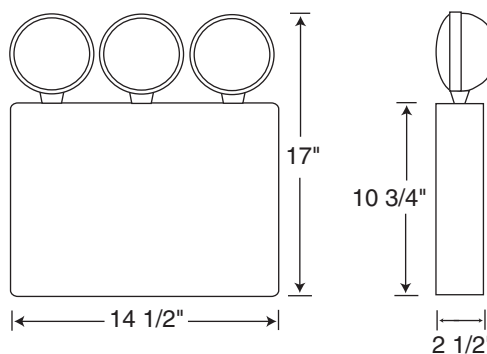
Electrical Data

Lamps Supplied with 12V, 12W, tungsten wedge base type lamps

Catalog Number	Input Voltage	Max. Amps	Max. Watts
NNY1250WH3	120	0.15	15.7
NNY1250WH3	277	0.07	16.6

Battery Two maintenance-free 6V sealed lead calcium batteries connected in series to deliver 12 volts, 50 watts of rated capacity • Will operate the unit's three heads plus an additional 14 watts of remote capacity for a minimum of 90 minutes in the event of a power outage • Lead calcium battery warranted for one full year

Dimensions



Battery Type	Battery Voltage	Temperature Range ¹
Lead Calcium	6V, 10Ah	40°F-95°F

¹To obtain rated life and capacity

New York Exit & Emergency

