



Applications

Navilite NNY6 Series New York Emergency Lights are designed for efficiency and ease of installation. Their rugged design meets New York City standards and provides dependable operation. The units are completely self contained and fully automatic.

Code Compliance

- UL 924
- NFPA 101 Life Safety Code Compliant
- NEC and OSHA Compliant
- New York City Approved
- Calendar No. 46932

Features

- Rugged, heavy duty design
- Durable 20 gauge steel housing and faceplate
- Supplied with three 6V, 9W thermoplastic lighting heads
- Dual voltage 120/277VAC
- Solid state charging and switching
- Brownout protection
- Battery low voltage disconnect
- AC power indicator and test switch
- Maintenance-free 6V sealed lead calcium battery

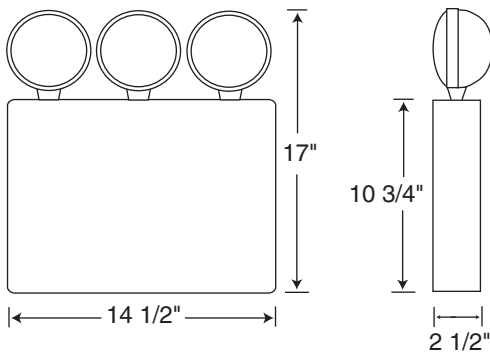
Mounting

Keyhole slots and J-box mounting holes provided for simplified wall mounting

Ordering Information

Catalog Number	Finish	Output Voltage	Lamp Wattage	Rated Output Watts			
				1 1/2 hrs.	2 hrs.	4 hrs.	8 hrs.
NNY627WH3	White	6V	3 x 9W	27	-	-	-

Dimensions



Electrical Data

Lamps Supplied with 6V, 9W, tungsten wedge base type lamps

Catalog Number	Input Voltage	Max. Amps	Max. Watts
NNY627WH3	120	0.06	1.7
NNY627WH3	277	0.03	1.7

Battery Maintenance-free 6V sealed lead calcium battery will operate rated load for a minimum of 90 minutes in the event of a power outage • Lead calcium battery warranted for one full year

Battery Type	Battery Voltage	Temperature Range ¹
Lead Calcium	6V, 12Ah	40°F-95°F

¹To obtain rated life and capacity