



Applications

High Wattage Emergency Lights are designed with larger batteries to deliver the remote capacity or longer emergency operation required in common commercial and industrial applications. 6V units are ideal for shorter runs while 12V units enable longer runs with reduced voltage drop (see page 1087 for 6V units).

Code Compliance

- UL 924
- NFPA 101 Life Safety Code Compliant
- NEC and OSHA Compliant

Features

- Injection molded, high impact, UV-stabilized thermoplastic construction
- Rugged, heavy duty design in white (neutral) finish
- Multiple conduit knockouts on top and sides for installation flexibility
- Keyhole slots for simplified wall mounting
- Fully adjustable, glare-free lighting heads with tempered glass lenses (incandescent wedge base lamps)
- Dual voltage 120/277 VAC operation
- Maintenance-free 6V sealed lead calcium battery connected in series configuration
- Supplied with 12V, 9W incandescent wedge base lamps

Mounting

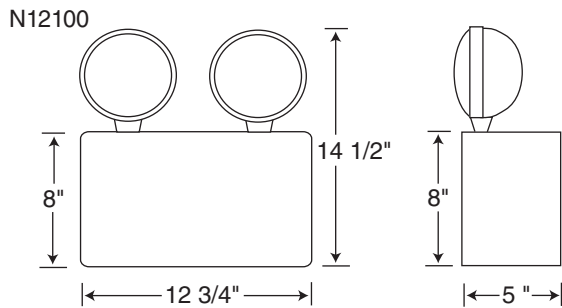
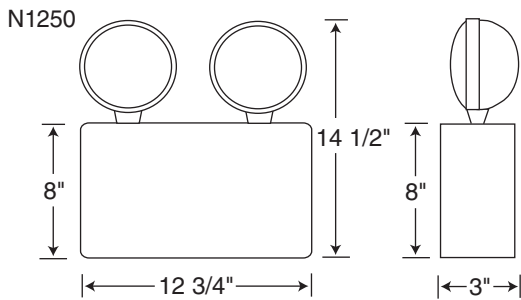
Keyhole slots provided for simplified wall mounting

Ordering Information — Standard Units

Catalog Number	Finish	Output Voltage	Lamp Wattage	Rated Output Watts				Remote Capacity
				1 1/2 hrs.	2 hrs.	4 hrs.	8 hrs.	
N1250WH	Neutral White	12V	2 x 9W	50	37	18	-	32W max.
N12100WH	Neutral White	12V	2 x 9W	100	75	37	18	82W max.

For remote heads selection, see pages 1088 and 1089.

Dimensions



Electrical Data

Lamps Supplied with 12V, 9W incandescent wedge base lamps. Additional remote heads can be ordered separately (see pages 1088-1089.)

	Input Voltage	Max. Amps	Max. Watts
N1250WH	120	0.15	17.0
	277	0.07	18.3
N12100WH	120	0.28	31.1
	277	0.12	31.8

Battery Maintenance-free 6V sealed lead calcium batteries connected in series to deliver 12V output

- 50W version uses two batteries
- 100W version uses four batteries
- 50W and 100W versions will operate rated load for a minimum of 90 minutes in the event of a power outage
- For longer emergency operating times up to 8 hours, connected load can be configured based on rated output watts
- Lead calcium battery warranted for one full year
- All remote heads connected to this unit must be 12V DC

Battery Type	Battery Voltage	Temperature Range ¹
Lead Calcium	6V, 10Ah	40°F-95°F

¹To obtain rated life and capacity