



### Applications

Contemporary design with fully adjustable, high performance optics make this unit ideal for commercial and retail applications where good ground level illumination is required.

### Code Compliance

- UL 924
- NFPA 101 Life Safety Code compliant
- NEC and OSHA compliant

### Features

- Injection molded, high impact, UV stabilized thermoplastic construction
- Two round adjustable heads
- High performance reflector/lens assembly
- Universal mounting plate with quick connect feature
- Dual voltage 120/227 VAC operation
- Maintenance-free sealed lead calcium battery
- Available with HO option for remote loads
- White or Black finish

### Mounting

Suitable for wall or ceiling mounting • Mounting plate includes universal mounting pattern for simple mounting over J-box • Conduit mounting ready

### Ordering Information

Catalog Number	Finish	Lamp Wattage	Remote Capacity
<b>Standard Units</b> N4WH N4BL	White Black	Two 6V 5W T5 Wedge Base	
<b>Remote Capable Units</b> N4WHHO N4BLHO	White Black	Two 6V 5.4W T5 Wedge Base	Up to 10.8W

For remote heads, see pages 1088 and 1089.

### Accessories

Catalog Number	Description
NVS3	Polycarbonate Vandal Shield - Small Bubble
NWG1	Wire Guard - Small

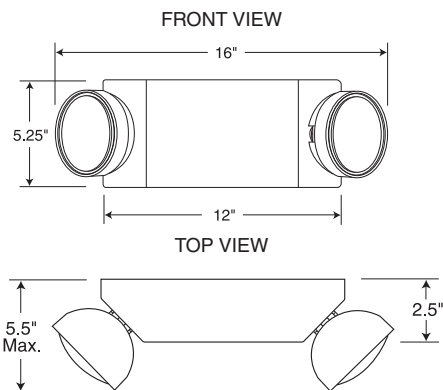
Accessories are ordered separately. To order, specify catalog number. Refer to Accessories section pages 1104-1106 for additional information.

### Electrical Data

**Lamps** Supplied with 6V, 5W incandescent wedge base lamps (Standard unit) or 6V, 5.4W incandescent wedge base lamps (HO version).

Item	Input Voltage	Max. Amps	Max. Watts
Standard	120	0.041	4.6
Unit	277	0.020	5.1
HO	120	0.077	8.5
Version	277	0.032	8.2

### Dimensions



**Battery** Maintenance-free 6V sealed lead calcium battery • Battery will operate fixture for a minimum of 90 minutes in the event of a power outage • High Output version will operate a total of 21.6 Watts for a minimum of 90 minutes

Battery Type	Temp. Range <sup>1</sup>
Lead Calcium	40°F-95°F

<sup>1</sup>To obtain rated life and capacity.