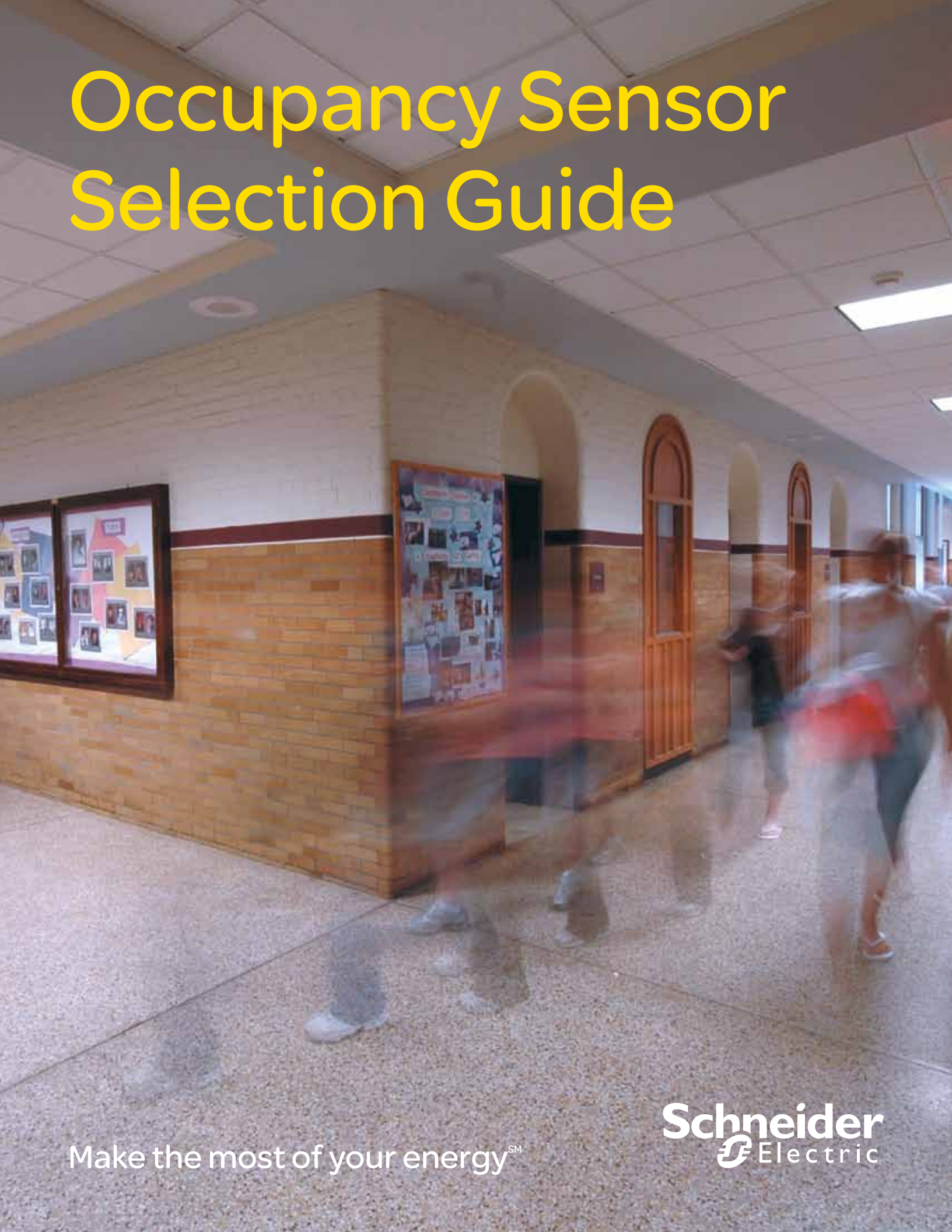


Occupancy Sensor Selection Guide



Make the most of your energySM

Schneider
Electric

For all your
applications





Private Office

- Wall Switch PIR [pg. 4](#)
- Wall Switch Dual Technology [pg. 4](#)
- Ceiling-Mounted PIR [pg. 8](#)
- Wall-Mounted PIR [pg. 12](#)



Private Restroom

- Wall Switch PIR [pg. 4](#)
- Wall Switch Ultrasonic [pg. 4](#)
- Ceiling-Mounted PIR [pg. 8](#)



Utility Closet

- Wall Switch PIR [pg. 4](#)
- Ceiling-Mounted PIR [pg. 8](#)



Copier/Mail Room

- Wall Switch PIR [pg. 4](#)
- Ceiling-Mounted PIR [pg. 8](#)



Health Care Labs

- Wall Switch Ultrasonic [pg. 4](#)



Storage Room

- Ceiling-Mounted Ultrasonic [pg. 8, pg. 10](#)



Classroom

- Ceiling-Mounted Dual Technology [pg. 8, pg. 10](#)
- Wall-Mounted Dual Technology [pg. 12](#)



Conference Room

- Ceiling-Mounted Dual Technology [pg. 8, pg. 10](#)
- Wall-Mounted Dual Technology [pg. 12](#)



Open Office Area

- Ceiling-Mounted Ultrasonic [pg. 8, pg. 10](#)
- Ceiling-Mounted Dual Technology [pg. 8, pg. 10](#)
- Wall-Mounted Ultrasonic [pg. 12](#)



Corridor/Hallway

- Ceiling-Mounted Ultrasonic [pg. 8, pg. 10](#)
- Wall-Mounted Ultrasonic [pg. 12](#)
- Wall-Mounted PIR [pg. 10](#)



Health Care Exam Room

- Wall Switch Dual Technology [pg. 4](#)



Large Meeting Room

- Ceiling-Mounted Dual Technology [pg. 8, pg. 10](#)
- Wall-Mounted Dual Technology [pg. 12](#)



Cafeteria/Lunch Room

- Ceiling-Mounted Ultrasonic [pg. 8, pg. 10](#)
- Wall-Mounted Ultrasonic [pg. 12](#)



Employee Break Room

- Wall Switch PIR [pg. 4](#)
- Ceiling-Mounted PIR [pg. 8](#)
- Wall-Mounted PIR [pg. 12](#)

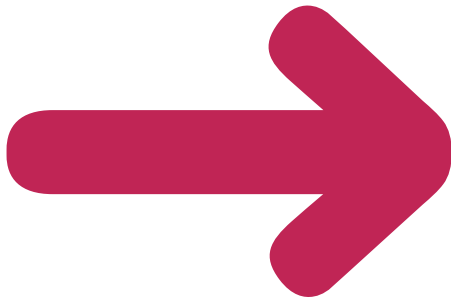


Multi-Stall Restroom

- Ceiling-Mounted Ultrasonic [pg. 8, pg. 10](#)
- Wall-Mounted Ultrasonic [pg. 12](#)

Wall Switch Occupancy Sensors

Auto-On/Auto-Off Only	Manual-On/Auto-Off Only	Single-Circuit Passive Infrared (PIR)	Dual-Circuit PIR	Single-Circuit PIR
Catalog Numbers				
SLSPWS1277AI (Ivory)	SLSPWS1277MI (Ivory)	SLSPWS1277UI (Ivory)	SLSPWD1277UI (Ivory)	SLSUWS1277UI (Ivory)
SLSPWS1277AW (White)	SLSPWS1277MW (White)	SLSPWS1277UW (White)	SLSPWD1277UW (White)	SLSUWS1277UW (White)
SLSPWS1277AL (Light Almond)	SLSPWS1277ML (Light Almond)	SLSPWS1277UL (Light Almond)	SLSPWD1277UL (Light Almond)	SLSUWS1277UL (Light Almond)
—	—	SLSPWS1277UG (Gray)	SLSPWD1277UG (Gray)	SLSUWS1277UG (Gray)
—	—	SLSPWS1277UB (Black)	SLSPWD1277UB (Black)	SLSUWS1277UB (Black)
Ratings				
Input				
120/277 VAC (60 Hz)	120/277 VAC (60 Hz)	120/277 VAC (50/60 Hz)	120/277 VAC (50/60 Hz)	120/277 VAC (50/60 Hz)
Maximum Load		Maximum Load Per Circuit		
1000 W Tungsten at 120 V	1000 W Tungsten at 120 V	1000 W Tungsten at 120 V	1000 W Tungsten at 120 V	1000 W Tungsten at 120 V
1000 VA Ballast at 120 V	1000 VA Ballast at 120 V	1000 VA Ballast at 120 V	1000 VA Ballast at 120 V	1000 VA Ballast at 120 V
1800 VA Ballast at 277 V	1800 VA Ballast at 277 V	1800 VA Ballast at 277 V	1800 VA Ballast at 277 V	1800 VA Ballast at 277 V
Coverage (minor/major)				
300/1000 sq. ft.	300/1000 sq. ft.	300/1000 sq. ft.	300/1000 sq. ft.	300/1000 sq. ft.
Field of View				
180°	180°	180°	180°	180°
Features				
Color-Matched Decorator-Style Cover Plate Included	Color-Matched Decorator-Style Cover Plate Included	Color-Matched Decorator-Style Cover Plate Included	Color-Matched Decorator-Style Cover Plate Included	Color-Matched Decorator-Style Cover Plate Included
LED Motion Indicator	LED Motion Indicator	LED Motion Indicator	LED Motion Indicator	LED Motion Indicator
No Neutral Required	No Neutral Required	No Neutral Required	No Neutral Required	No Neutral Required
No Minimum Load	No Minimum Load	No Minimum Load	No Minimum Load	No Minimum Load
Manual Bypass	Manual Bypass	Manual Bypass	Manual Bypass	Manual Bypass
—	—	Color-Matched Segmented Lens	Color-Matched Segmented Lens	Color-Matched Segmented Lens
—	—	Light Level Sensor	Light Level Sensor	Light Level Sensor
—	—	Walk-Through Mode	Walk-Through Mode	Walk-Through Mode
—	—	Audible Alarm Test Mode	Audible Alarm Test Mode	Audible Alarm Test Mode
—	—	Adaptive Technology	Adaptive Technology	Adaptive Technology
—	—	—	Lamp Saver Mode	—
Adjustments				
Time Delay (15 s-30 m)	Time Delay (15 s-30 m)	Time Delay (30 s-30 m)	Time Delay (30 s-30 m)	Time Delay (30 s-30 m)
—	—	Sensitivity (60-100%)	Sensitivity (60-100%)	Sensitivity (60-100%)
—	—	Light Level (0-150 fc)	Light Level (0-150 fc)	Light Level (0-150 fc)
Regulatory				
UL and cUL Listed	UL and cUL Listed	UL and cUL Listed	UL and cUL Listed	UL and cUL Listed
FCC Part 15, Class B	FCC Part 15, Class B	FCC Part 15, Class B	FCC Part 15, Class B	FCC Part 15, Class B
Title 24 Certified	Title 24 Certified	Title 24 Certified	Title 24 Certified	Title 24 Certified
Warranty				
5 Years	5 Years	5 Years	5 Years	5 Years



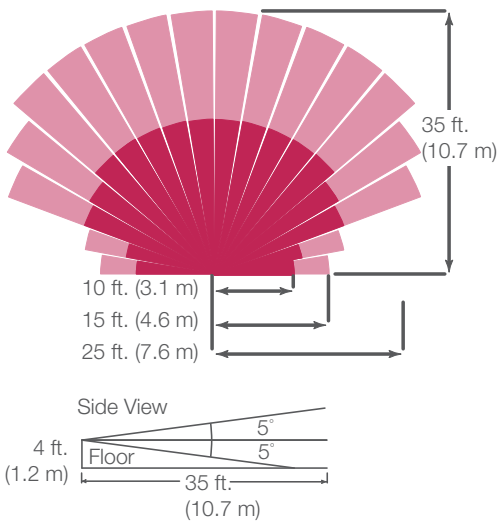
Circuit Ultrasonic	Dual-Circuit Ultrasonic	Single-Circuit Dual Technology	Dual-Circuit Dual Technology	Vacancy Sensor
1277UI (Ivory)	SLSUWD1277UI (Ivory)	SLSDWS1277UI (Ivory)	SLSDWD1277UI (Ivory)	SLSPWS120VI (Ivory)
1277UW (White)	SLSUWD1277UW (White)	SLSDWS1277UW (White)	SLSDWD1277UW (White)	SLSPWS120VW (White)
1277UL (Light Almond)	SLSUWD1277UL (Light Almond)	SLSDWS1277UL (Light Almond)	SLSDWD1277UL (Light Almond)	SLSPWS120VL (Light Almond)
1277UG (Gray)	SLSUWD1277UG (Gray)	SLSDWS1277UG (Gray)	SLSDWD1277UG (Gray)	—
1277UB (Black)	SLSUWD1277UB (Black)	SLSDWS1277UB (Black)	SLSDWD1277UB (Black)	—
120 VAC (50/60 Hz)	120/277 VAC (50/60 Hz)	120/277 VAC (50/60 Hz)	120/277 VAC (50/60 Hz)	120 VAC (60 Hz)
1000 W Tungsten at 120 V	1000 W Tungsten at 120 V	1000 W Tungsten at 120 V	1000 W Tungsten at 120 V	1000 W Tungsten at 120 V
1000 VA Ballast at 120 V	1000 VA Ballast at 120 V	1000 VA Ballast at 120 V	1000 VA Ballast at 120 V	1000 VA Ballast at 120 V
1800 VA Ballast at 277 V	1800 VA Ballast at 277 V	1800 VA Ballast at 277 V	1800 VA Ballast at 277 V	¼ HP Motor Load at 120 V
300 sq. ft.	300/1000 sq. ft.	300/1000 sq. ft.	300/1000 sq. ft.	300/1000 sq. ft.
	180°	180°	180°	180°
Color-Matched Decorator-Style Cover Plate Included	Color-Matched Decorator-Style Cover Plate Included	Color-Matched Decorator-Style Cover Plate Included	Color-Matched Decorator-Style Cover Plate Included	Color-Matched Decorator-Style Cover Plate Included
LED Motion Indicator	LED Motion Indicator	LED Motion Indicator	LED Motion Indicator	LED Motion Indicator
No Neutral Required	No Neutral Required	No Neutral Required	No Neutral Required	No Neutral Required
No Minimum Load	No Minimum Load	No Minimum Load	No Minimum Load	No Minimum Load
Manual Bypass	Manual Bypass	Manual Bypass	Manual Bypass	No override on
Color-Matched Segmented Lens	Color-Matched Segmented Lens	Color-Matched Segmented Lens	Color-Matched Segmented Lens	Manual-on only (no auto-on mode)
Light Level Sensor	Light Level Sensor	Light Level Sensor	Light Level Sensor	—
Walk-Through Mode	Walk-Through Mode	Walk-Through Mode	Walk-Through Mode	—
Audible Alarm Test Mode	Audible Alarm Test Mode	Audible Alarm Test Mode	Audible Alarm Test Mode	—
Adaptive Technology	Adaptive Technology	Adaptive Technology	Adaptive Technology	—
Lamp Saver Mode	Lamp Saver Mode	—	Lamp Saver Mode	—
Time Delay (30 s-30 m)	Time Delay (30 s-30 m)	Time Delay (30 s-30 m)	Time Delay (30 s-30 m)	Time Delay (30 m)
Sensitivity (60-100%)	Sensitivity (60-100%)	Sensitivity (60-100%)	Sensitivity (60-100%)	—
Light Level (0-150 fc)	Light Level (0-150 fc)	Light Level (0-150 fc)	Light Level (0-150 fc)	—
UL Listed	UL and cUL Listed	UL and cUL Listed	UL and cUL Listed	UL and cUL Listed
FCC Part 15, Class B	FCC Part 15, Class B	FCC Part 15, Class B	FCC Part 15, Class B	FCC Part 15, Class B
Title 24 Certified	Title 24 Certified	Title 24 Certified	Title 24 Certified	Title 24 Certified
	5 Years	5 Years	5 Years	5 Years

Wall Switch Occupancy Sensors (continued)

Area of Detection

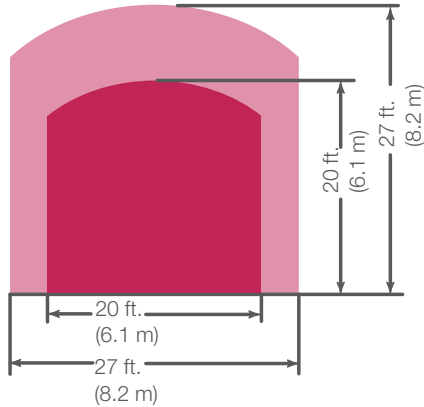
Wall Switch PIR

Auto-On/Auto-Off, Manual-On/Auto-Off Models
(SLSPWS1277Ax, SLSPWS1277Mx)



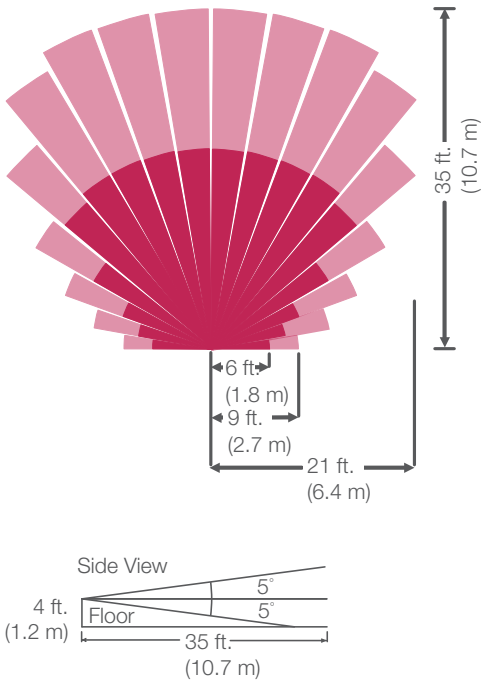
Wall Switch Ultrasonic (4 ft. mounting height)

Commercial Grade (SLSUWS1277Ux, SLSUWD1277Ux)



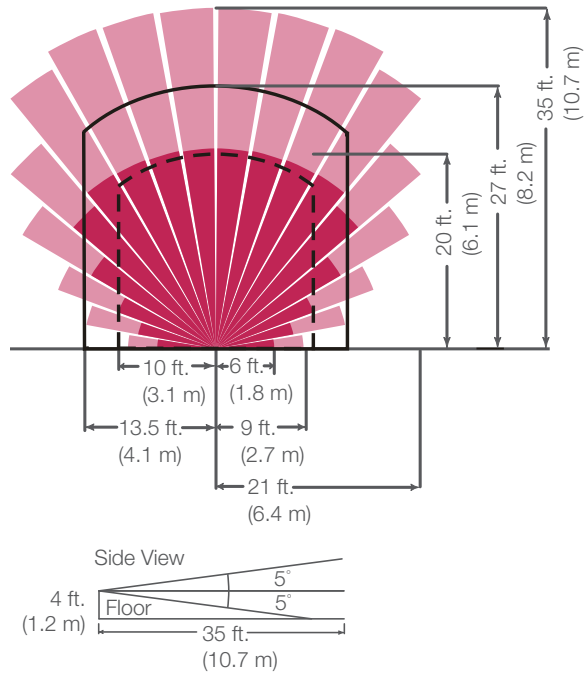
Wall Switch PIR

Commercial Grade (SLSPWS1277Ux, SLSPWD1277Ux)



Wall Switch Dual Technology

Commercial Grade (SLSDWS1277Ux, SLSDWD1277Ux)



Major Motion

Minor Motion

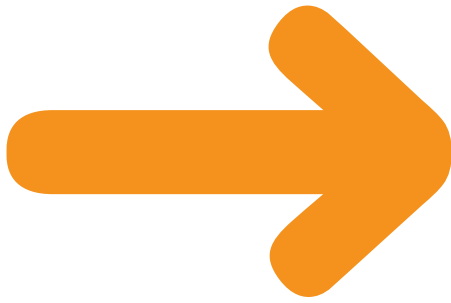
Ultrasonic Minor Motion

Ultrasonic Major Motion

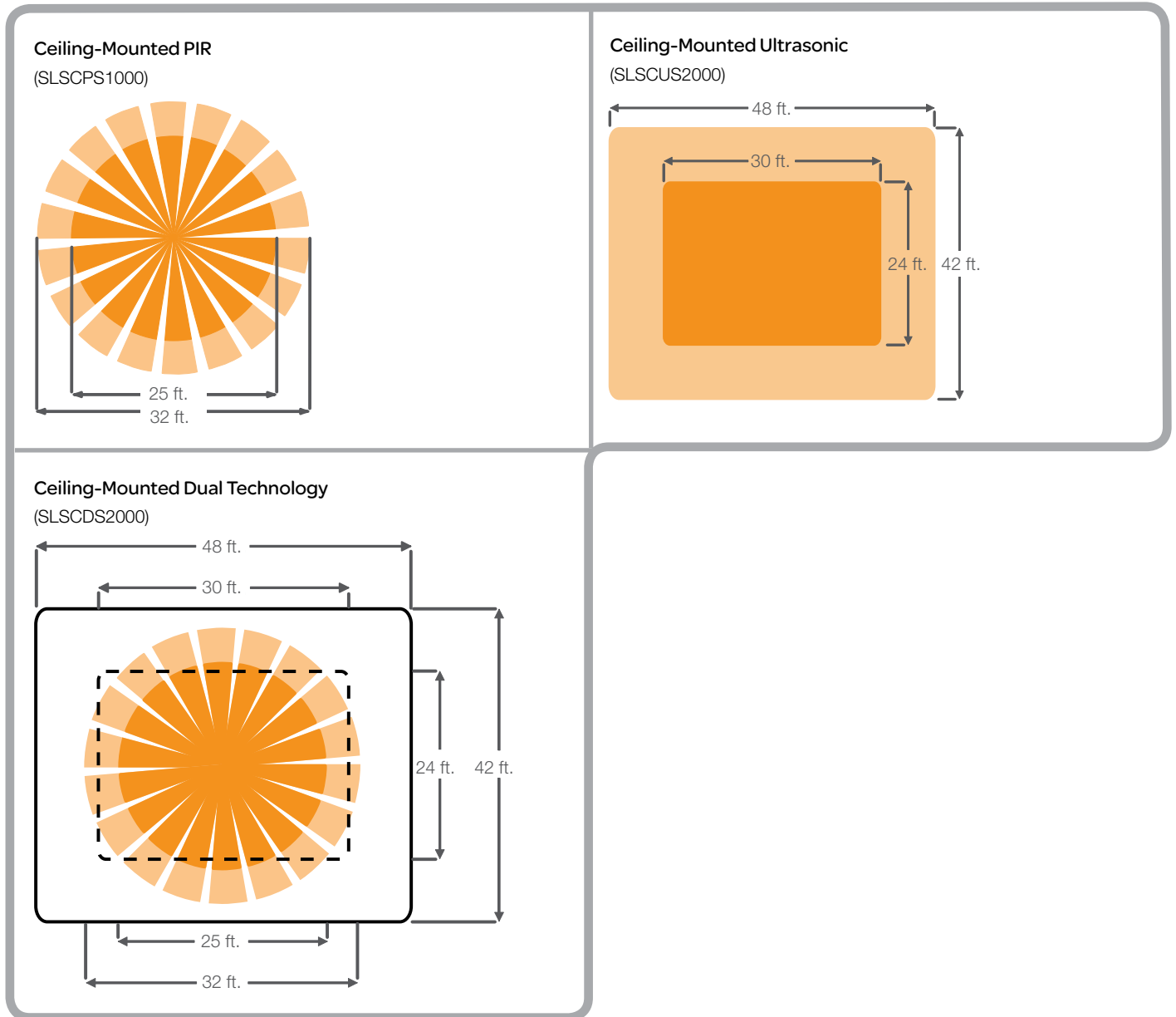


360° Ceiling-Mounted Occupancy Sensors

PIR	Ultrasonic	Dual Technology
Catalog Numbers		
SLSCPS1000	SLSCUS2000	SLSCDS2000
Ratings		
Input		
24 VDC/21 mA	24 VDC/34 mA	24 VDC/37 mA
Power Pack Required	Power Pack Required	Power Pack Required
Isolated Form C Relay (1 A/24 VDC)	Isolated Form C Relay (1 A/24 VDC)	Isolated Form C Relay (1 A/24 VDC)
Coverage (minor/major)		
300/1000 sq. ft.	700/2000 sq. ft.	700/2000 sq. ft.
Field of View		
360°	360°	360°
Features		
Light Level Sensor	Light Level Sensor	Light Level Sensor
Easy-Access Adjustments	Easy-Access Adjustments	Easy-Access Adjustments
Easy-to-Install Class 2 Device	Easy-to-Install Class 2 Device	Easy-to-Install Class 2 Device
Manual Bypass	Manual Bypass	Manual Bypass
Flexible Mounting System	Flexible Mounting System	Flexible Mounting System
Isolated Relay for HVAC, Security, BAS, etc.	Isolated Relay for HVAC, Security, BAS, etc.	Isolated Relay for HVAC, Security, BAS, etc.
LED Motion Indicator (Red)	LED Motion Indicator (Red)	LED Motion Indicator (Red=PIR, Green=Ultrasonic)
Adaptive Technology	Adaptive Technology	Adaptive Technology
Adjustments		
Time Delay (15 s-30 m)	Time Delay (15 s-30 m)	Time Delay (15 s-30 m)
Sensitivity (60-100%)	Sensitivity (60-100%)	Sensitivity (60-100%)
Light Level (0.5-250 fc)	Light Level (0.5-250 fc)	Light Level (0.5-250 fc)
Regulatory		
UL and cUL Listed	UL and cUL Listed	UL and cUL Listed
FCC Part 15, Class B	FCC Part 15, Class B	FCC Part 15, Class B
Title 24 Certified	Title 24 Certified	Title 24 Certified
Warranty		
5 Years	5 Years	5 Years



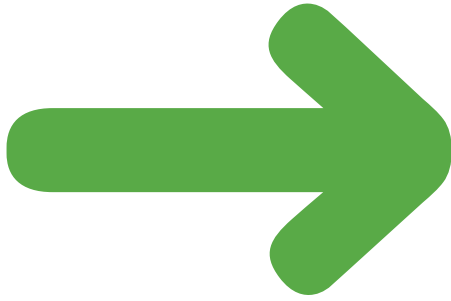
Area of Detection (at 9 ft. ceiling height)



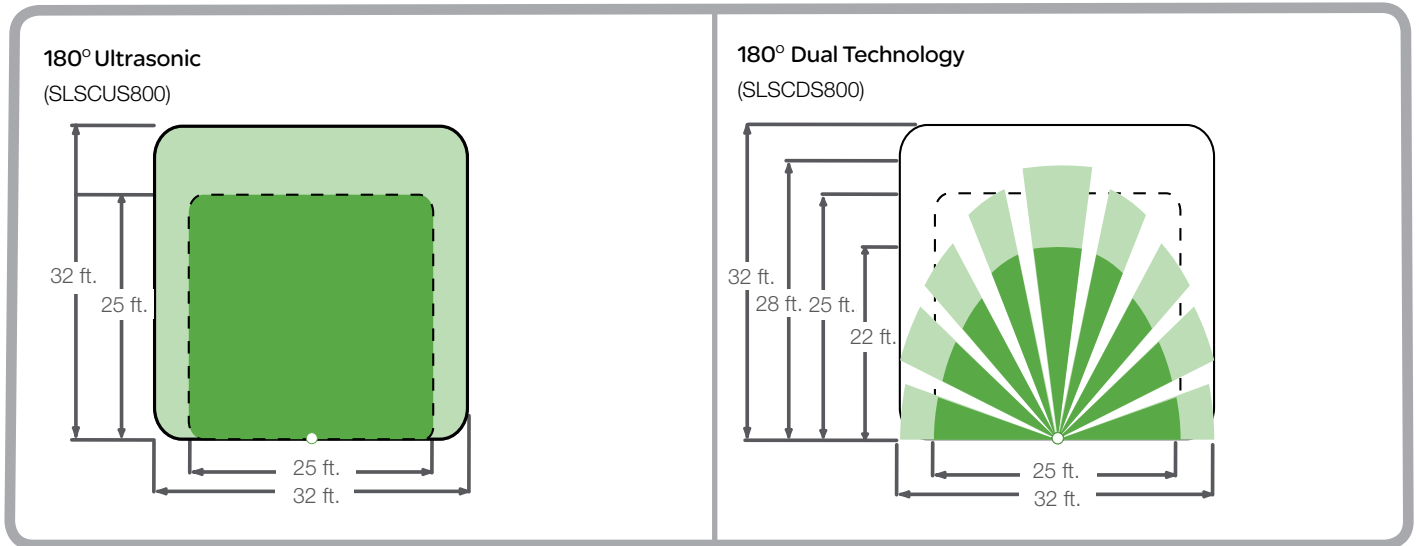
Major Motion Minor Motion Ultrasonic Minor Motion Ultrasonic Major Motion

180° Ceiling-Mounted Occupancy Sensors

Ultrasonic	Dual Technology
Catalog Numbers	
SLSCUS800	SLSCDS800
Ratings	
Input	
24 VDC/30 mA	24 VDC/33 mA
Power Pack Required	Power Pack Required
Isolated Form C Relay (1 A/24 VDC)	Isolated Form C Relay (1 A/24 VDC)
Coverage (minor/major)	
300/1000 sq. ft.	300/1000 sq. ft.
Field of View	
180°	180°
Features	
Light Level Sensor	Light Level Sensor
Easy-Access Adjustments	Easy-Access Adjustments
Easy-to-Install Class 2 Device	Easy-to-Install Class 2 Device
Manual Bypass	Manual Bypass
Flexible Mounting System	Flexible Mounting System
Isolated Relay for HVAC, Security, BAS, etc.	Isolated Relay for HVAC, Security, BAS, etc.
LED Motion Indicator (Red)	LED Motion Indicator (Red and Green)
Adaptive Technology	Adaptive Technology
Adjustments	
Time Delay (15 s-30 m)	Time Delay (15 s-30 m)
Sensitivity (10-100%)	Sensitivity (10-100%)
Light Level (0.5-250 fc)	Light Level (0.5-250 fc)
Regulatory	
UL and cUL Listed	UL and cUL Listed
FCC Part 15, Class B	FCC Part 15, Class B
Title 24 Certified	Title 24 Certified
Warranty	
5 Years	5 Years



Area of Detection (at 9 ft. ceiling height)



Major Motion

Minor Motion

Ultrasonic Minor Motion

Ultrasonic Major Motion

Wall-Mounted Occupancy Sensors

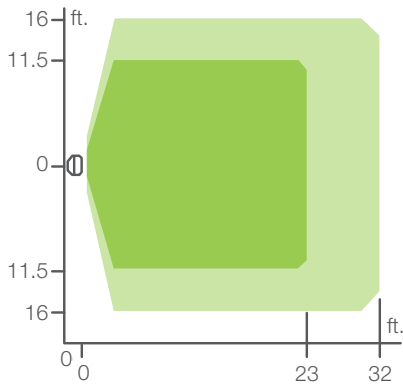
PIR	Ultrasonic	Dual Technology
Catalog Numbers		
SLSWPS1500	SLSWUS1500	SLSWDS1500
Ratings		
Input		
24 VDC/21 mA	24 VDC/34 mA	24 VDC/37 mA
Power Pack Required	Power Pack Required	Power Pack Required
Isolated Form C Relay (1 A/24 VDC)	Isolated Form C Relay (1 A/24 VDC)	Isolated Form C Relay (1 A/24 VDC)
Coverage (minor/major)		
1500 sq. ft.	1500 sq. ft.	1500 sq. ft.
Field of View		
Varies with Lens	180°	180°
Features		
Light Level Sensor	Light Level Sensor	Light Level Sensor
Easy-Access Adjustments	Easy-Access Adjustments	Easy-Access Adjustments
Easy-to-Install Class 2 Device	Easy-to-Install Class 2 Device	Easy-to-Install Class 2 Device
Manual Bypass	Manual Bypass	Manual Bypass
Flexible Mounting System	Flexible Mounting System	Flexible Mounting System
Isolated Relay for HVAC, Security, BAS, etc.	Isolated Relay for HVAC, Security, BAS, etc.	Isolated Relay for HVAC, Security, BAS, etc.
Light Level Sensor	Light Level Sensor	Light Level Sensor
LED Motion Indicator (Red)	LED Motion Indicator (Red)	LED Motion Indicator (Red=PIR, Green=Ultrasonic)
Adaptive Technology	Adaptive Technology	Adaptive Technology
Adjustments		
Time Delay (15 s-30 m)	Time Delay (15 s-30 m)	Time Delay (15 s-30 m)
Sensitivity (60-100%)	Sensitivity (60-100%)	Sensitivity (60-100%)
Light Level (0.5-250 fc)	Light Level (0.5-250 fc)	Light Level (0.5-250 fc)
Regulatory		
UL and cUL Listed	UL and cUL Listed	UL and cUL Listed
FCC Part 15, Class B	FCC Part 15, Class B	FCC Part 15, Class B
Title 24 Certified	Title 24 Certified	Title 24 Certified
Warranty		
5 Years	5 Years	5 Years



Area of Detection (at 8 ft. ceiling height)

Wall-Mounted Ultrasonic

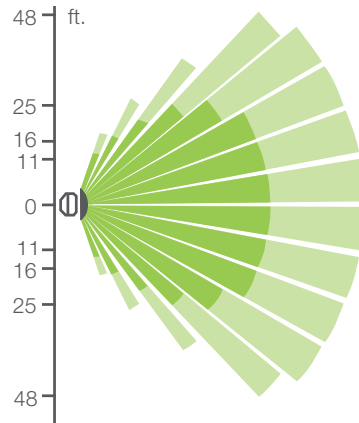
(SLSWUS1500)



Wall-Mounted PIR

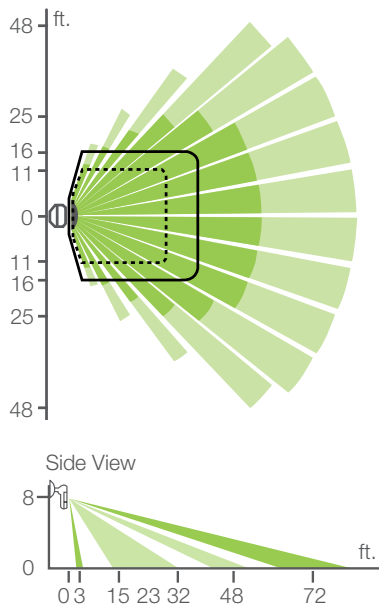
(SLSWPS1500)

Wide Angle Lens

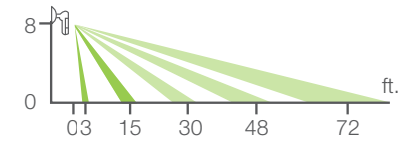


Wall-Mounted Dual Technology

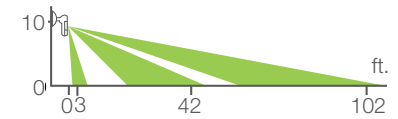
(SLSWDS1500)



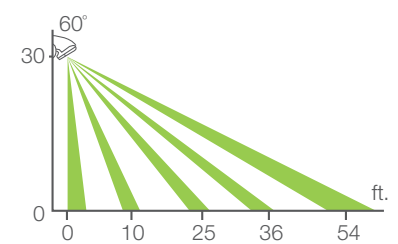
Side View



Long Range Lens



High Bay Lens



Major Motion

Minor Motion

Ultrasonic Minor Motion

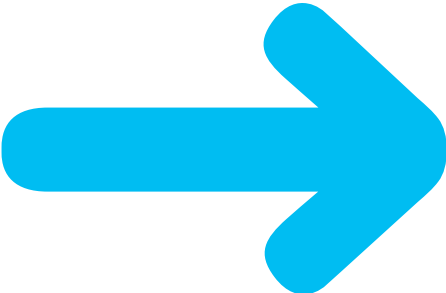
Ultrasonic Major Motion



Power Pack and Auxiliary Relay



Power Pack (with Relay)	Auxiliary Relay (Slave Pack)
Catalog Numbers	
SLSP1277	SLSSP24
Ratings	
Input	
120/277 VAC	24 VDC/36 mA
Output (24 VDC/100 mA)	
—	—
Relay (120/277 VAC 60 Hz, 15 A Tungsten, 20 A Ballast)	
Relay (120/277 VAC 60 Hz, 15 A Tungsten, 20 A Ballast)	
Features	
Flexible mounting, Plenum-rated, line selector switch (120 V or 277 V), separate Class 2 and Class 1 conduit fittings, integral conduit fittings	Flexible Mounting, plenum-rated, separate Class 2 and Class 1 conduit fittings, integral conduit fittings
Regulatory	
UL and CUL Listed	
FCC Part 15, Class B	
Warranty	
5 Years	
Applications	
For use with Schneider Electric Class 2 ceiling- and wall-mounted occupancy sensors. Controls one light load per power pack.	For use with Schneider Electric Class 2 ceiling- and wall-mounted occupancy sensors to control additional lighting loads fed from other circuits.



Sensor Cross Reference

Wall Switch Occupancy Sensors (See Page 4)

Auto-On/Auto-Off Only SLSPWS1277Ax	Manual-On/Auto-Off Only SLSPWS1277Mx	Single-Circuit PIR SLSPWS1277Ux	Dual-Circuit PIR SLSPWD1277Ux
Hubbell Wiring Device Kellems			
WS120x		AT1277x	WS1277W2
WS277x		ATP1277xx	AP1277xx2
WS1277x		AP1277xx1	—
Hubbell Building Automation			
IWSZP3P	IWSZPM	LHIRS1x	LHIRD2x
Leviton			
ODS10-IDx	OSS10-IDx	ODS15-IDx	ODS0D-TDx
—	(No Nightlight)	—	ODS0D-IDx
The Watt Stopper			
WS-200x	WS-200x	PW-100x	PW-200x

Ultrasonic Occupancy Sensor (Single-Circuit) SLSUWS1277Ux	Ultrasonic Occupancy Sensor (Dual-Circuit) SLSUWD1277Ux	Dual Tech Occupancy Sensor (Single-Circuit) SLSDWS1277Ux	Dual Tech Occupancy Sensor (Dual-Circuit) SLSDWD1277Ux
Hubbell Wiring Device Kellems			
AU1277x1, AU1277x1N	AU1277x2	AD1277x1	AD1277x2
	AU1277x2N	AD1277x1N	AD1277x2N
Hubbell Building Automation			
LHUSS	LHUSD	LHMTS	LHMTD
Leviton			
—	—	OSSMT-GDx	OSSMD-GDx
—	—	OSSMT-MDx	OSSMD-MDx
The Watt Stopper			
UW-100x	UW-200x	DW-100x	DW-200x

360° Ceiling-Mounted Occupancy Sensors (See Page 8)

Passive Infrared PIR SLSCPS1000	Ultrasonic SLSCUS2000	Dual Technology SLSCDS2000
Hubbell Wiring Device Kellems		
ATP600/1500Cxx	ATU2000Cxx	ATD2000Cxx
Hubbell Building Automation		
OMNIIRxx, OMNIIRLxx	OMNIUS500/1000/2000xx	OMNIDT500/1000/2000xx
Leviton		
OSCxx-IOW	OSCxx-UOW	OSCxx-MOW
The Watt Stopper		
CI-200/205/300/305-x	All W, WT and UT Sensors	DT300
—	—	DT305

180° Ceiling-Mounted Occupancy Sensors (See Page 10)

Ultrasonic SLSCUS800	Dual Technology SLSCDS800
Hubbell Wiring Device Kellems	
ATU500/1000Cxx	ATD500/1000Cxx
No Cross	ATD1600WRP
Leviton	
OSC05-U0W	OSC05-M0W

Wall-Mounted Occupancy Sensors (See Page 12)

Passive Infrared PIR SLSWPS1500	Ultrasonic SLSWUS1500	Dual Technology SLSWDS1500
Hubbell Wiring Device Kellems		
ATP1600W	No Cross	ATD1600W
ATP1600WRP	No Cross	ATD1600WRP
ATP120HB	—	—
ATP120HBRP	—	—
Hubbell Building Automation		
LOIRxx	No Cross	LODT
LOIRxxRP	No Cross	LODTRP
Leviton		
OSWxx-IOW	No Cross	ODW12-Mxx
The Watt Stopper		
WPIR	No Cross	DT200/205
CX-100/105-x	No Cross	—

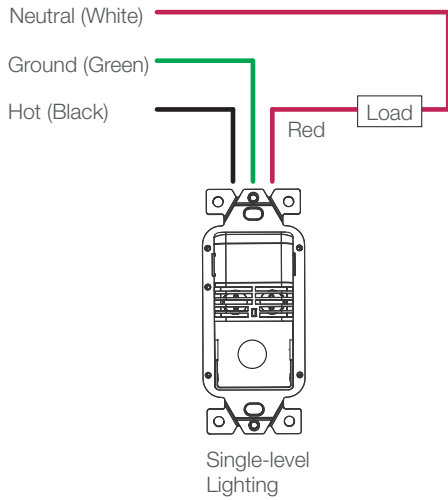
Power Pack and Auxiliary Relay (See Page 15)

Power Pack (with Relay) SLSP1277	Auxiliary Relay (Slave Pack) SLSP24
Hubbell Wiring Device Kellems	
CU120A	AAR
CU277A	—
Hubbell Building Automation	
MP120A	MPSA
MP277A	—
Leviton	
OSP20-D0	OSA20-R00
OPS20-RD0	—
The Watt Stopper	
B120E-P	S120E-P
B277E-P	S277E-P
BZ-100	—

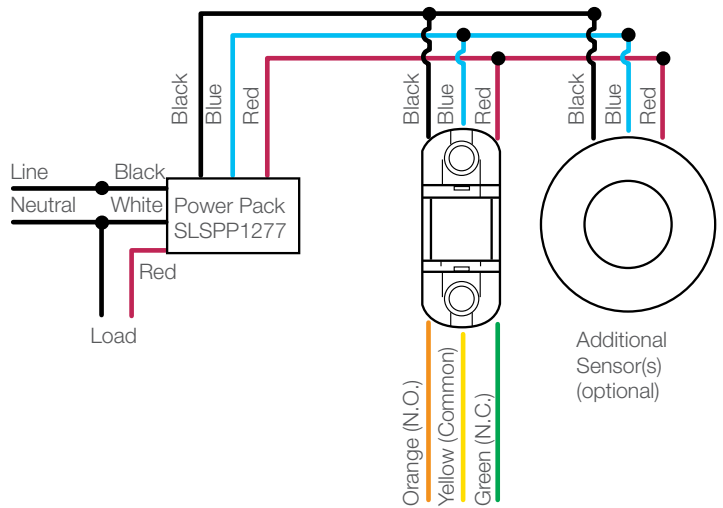


Wiring Diagrams

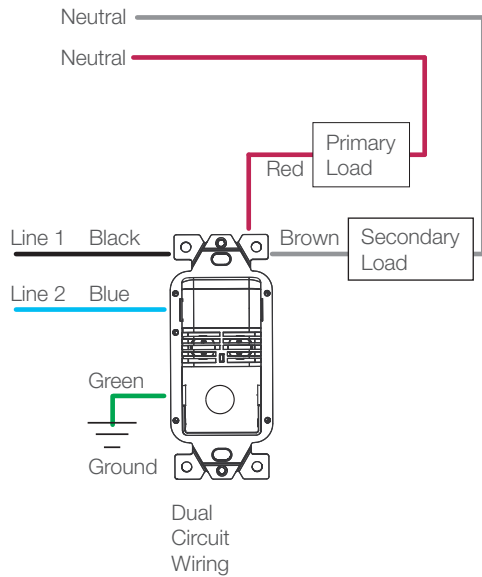
Single Circuit Wall Switch



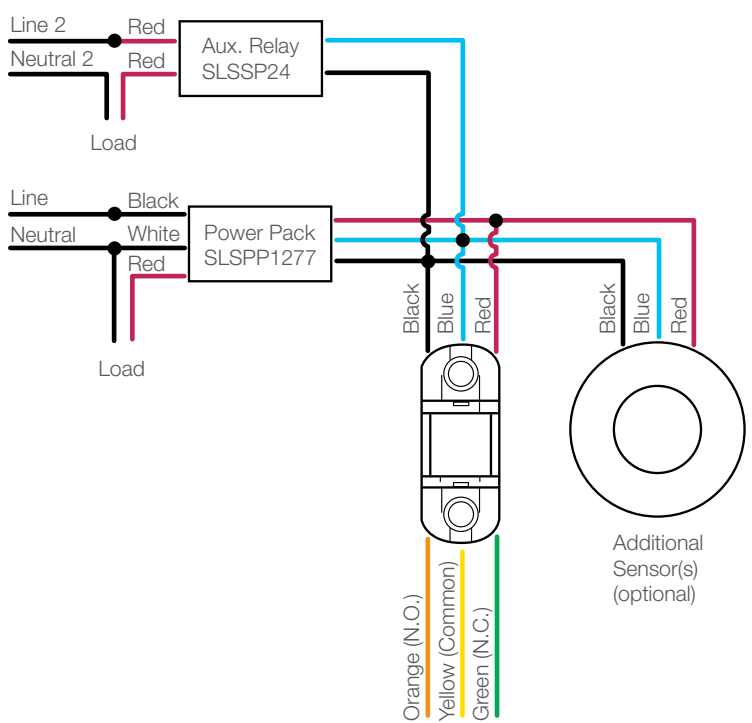
Ceiling Mount and Wall Mount



Dual Circuit Wall Switch



Auxiliary Relay



Schneider Electric and logo, and "Make the most of your energy" are trademarks or registered trademarks of Schneider Electric or its affiliates in the United States and other countries. Other trademarks used herein are the property of their respective owners.

Schneider Electric USA, Inc.

320 Tech Park Drive, Suite 100
LaVergne, TN 37086
1-888-778-2733
www.schneider-electric.us

