

## RECESSED EDGE-LIT EXIT SIGNS

# Navilite®

### Product Features:

- Available in both ceiling (NXECR) and wall (NXEWR) mounted versions
- Includes bar hangers suitable for joist or suspended ceiling applications
- Can be mounted in all types of ceilings, including plaster/drywall and suspended ceilings



NaviLite Recessed Edge-Lit Exit Signs offer an elegant and unobtrusive alternative for applications where minimum disruption of the building decor is desired. With a premium aluminum trim, rounded corners, and soft finishes these Edge-Lit Exit Signs portray unparalleled quality and attention to detail, making them an ideal choice for upscale offices, healthcare facilities, and high-rises.

**Energy Efficiency:** The NaviLite Recessed Edge-Lit Exit Signs are manufactured with high output LEDs, providing energy efficiency and reduced maintenance. Both the AC only and the battery backup versions are Energy Star qualified.

**Regulatory Compliance:** NaviLite's Recessed Edge-Lit Exit Signs are UL 924 listed, and comply with NFPA 101 Life Safety Code, NEC, and OSHA requirements. Both the AC only and the battery backup versions are Energy Star qualified.

**Product Reliability:** All NaviLite products are backed by a 5 year limited warranty against defects in material or workmanship on all components excluding the batteries (which are warranted on a pro-rata basis).



### Accessories

Catalog No.	Description
HB-26	26" C-Channel Bar Hangers (set of 2)
HB-50	50" C-Channel Bar Hangers (set of 2)
LB-27	27" Linear Bar Hangers (set of 2)

Accessory bar hangers are only required when using the commercial brackets. All accessories must be ordered separately.

**Note:** Special signage available. Consult factory for details.

## Architectural Grade, Recessed Edge-Lit Exit Sign AC Only

- Designed for applications where a power inverter or generator is available to supply emergency power
- Available in both ceiling (NXECCR) and wall (NXEWR) mounted versions
- Bar hangers suitable for joist or suspended ceiling applications (shipped installed)
- Commercial brackets are also included (shipped loose in the box)
- Can be mounted in all types of ceilings, including plaster/drywall and suspended ceilings

### Ordering Information

Series	Number of Faces	Letter Color	Trim Plate Finish
NXECCR = Ceiling Recessed Edge-Lit LED Exit Sign — AC Only	1 = Single Face 2 = Double Face	R = Red G = Green	WH = White BA = Soft Brushed Aluminum
NXEWR = Wall Recessed Edge-Lit LED Exit Sign — AC Only			

Example: NXECCR1RBA



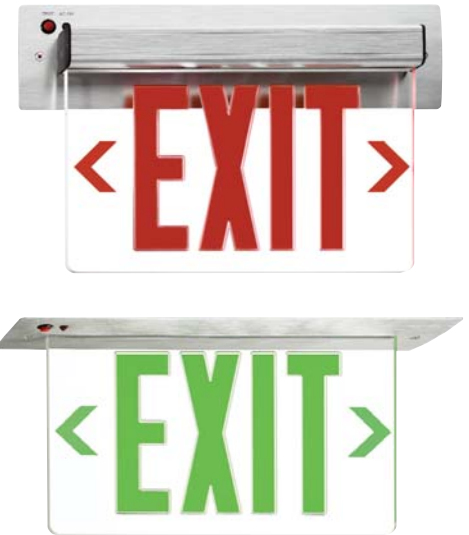
## Architectural Grade, Recessed Edge-Lit Exit Sign Battery Backup

- Designed for applications where an independent, integral battery is needed to provide a minimum of 90 minutes of emergency power
- Available in both ceiling (NXECRB) and wall (NXEWRB) mounted versions
- Bar hangers suitable for joist or suspended ceiling applications (shipped installed)
- Commercial brackets are also included (shipped loose in the box)
- NiCad battery is standard
- Can be mounted in all types of ceilings, including plaster/drywall and suspended ceilings

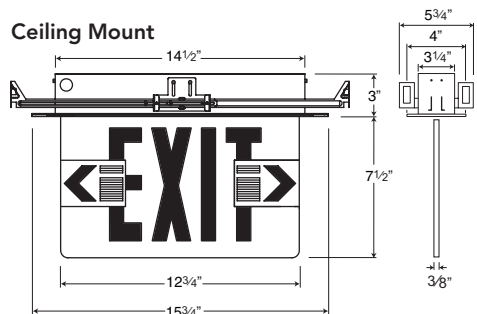
### Ordering Information

Series	Number of Faces	Letter Color	Trim Plate Finish
NXECRB = Ceiling Recessed Edge-Lit LED Exit Sign — with Battery Backup	1 = Single Face 2 = Double Face	R = Red G = Green	WH = White BA = Soft Brushed Aluminum
NXEWRB = Wall Recessed Edge-Lit LED Exit Sign — with Battery Backup			

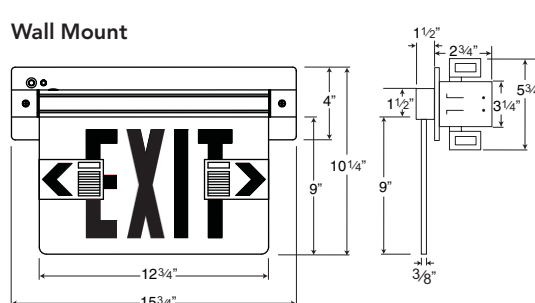
Example: NXECRB1RBA



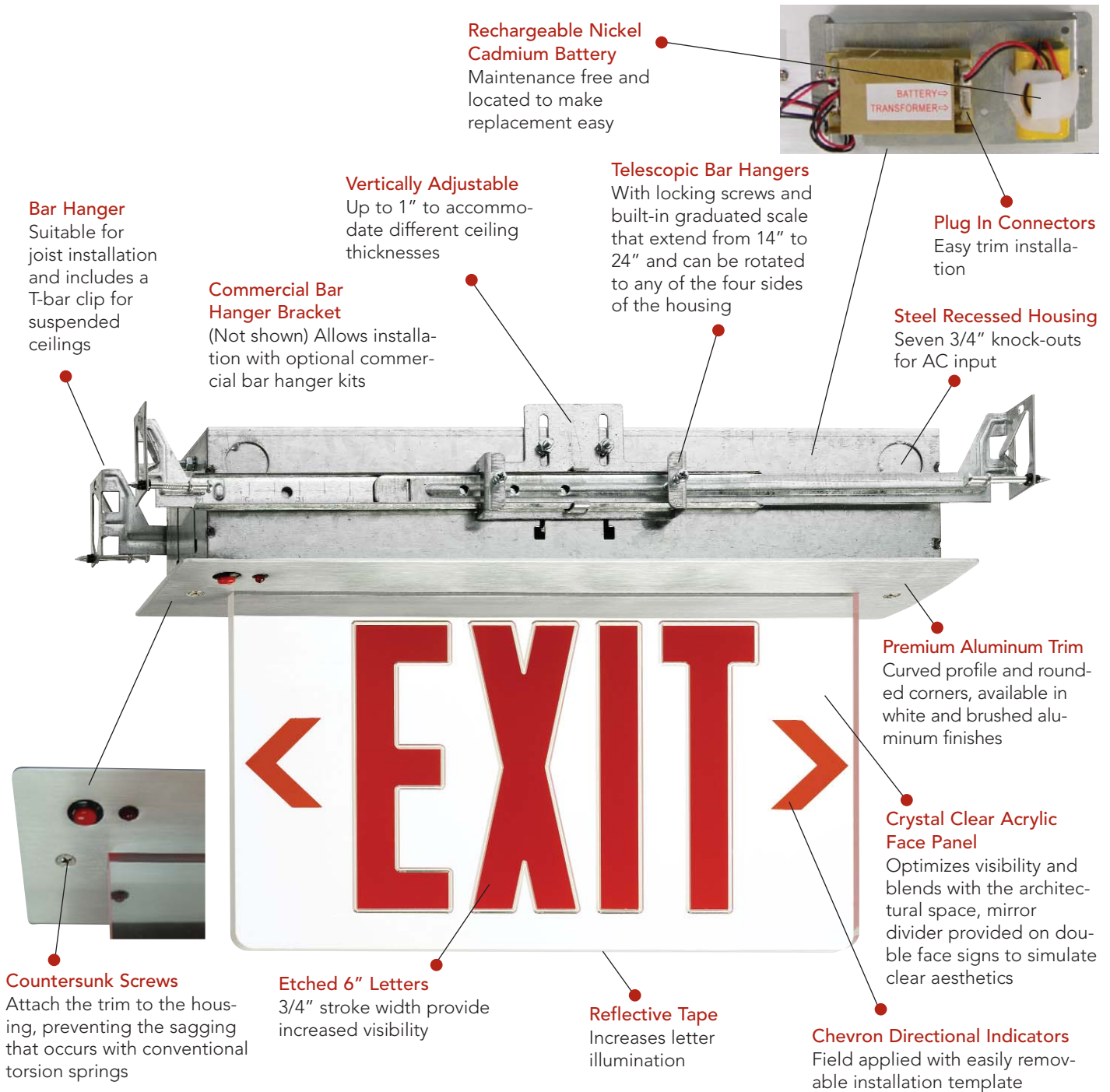
Ceiling Mount



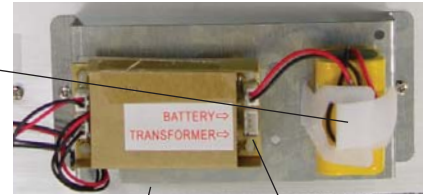
Wall Mount



Ceiling Cut-Out =  
14.75" x 3.25"



**Rechargeable Nickel Cadmium Battery**  
Maintenance free and located to make replacement easy



**Plug In Connectors**  
Easy trim installation

**Steel Recessed Housing**  
Seven 3/4" knock-outs for AC input

**Telescopic Bar Hangers**  
With locking screws and built-in graduated scale that extend from 14" to 24" and can be rotated to any of the four sides of the housing

**Vertically Adjustable**  
Up to 1" to accommodate different ceiling thicknesses

**Commercial Bar Hanger Bracket**  
(Not shown) Allows installation with optional commercial bar hanger kits

**Bar Hanger**  
Suitable for joist installation and includes a T-bar clip for suspended ceilings

**Premium Aluminum Trim**  
Curved profile and rounded corners, available in white and brushed aluminum finishes

**Crystal Clear Acrylic Face Panel**  
Optimizes visibility and blends with the architectural space, mirror divider provided on double face signs to simulate clear aesthetics

**Chevron Directional Indicators**  
Field applied with easily removable installation template

**Countersunk Screws**  
Attach the trim to the housing, preventing the sagging that occurs with conventional torsion springs

**Etched 6" Letters**  
3/4" stroke width provide increased visibility

**Reflective Tape**  
Increases letter illumination

1300 South Wolf Road • P.O. Box 5065 • Des Plaines, Illinois 60017-5065  
PHONE (847) 827-9880 • FAX (847) 827-2925 • junolightinggroup.com

**Regional Offices & Warehouses:**  
Atlanta, Dallas, Los Angeles, Philadelphia, Toronto



Navilite is a registered trademark of Juno Lighting, Inc. Products shown in this brochure are covered by U.S. and international patents and patents pending. Specifications subject to change without notice.  
© 2007 JUNO LIGHTING INC.  
ENERGY STAR and ENERGY STAR mark are registered U.S. marks

Printed in the U.S.A. LIT-NAVILITE-EDGE 07/07

