

## LED WALL WASH/FLOOD FIXTURES



# Juno<sup>®</sup>

Trac-Master<sup>®</sup> T256LED and T257LED Wall Wash/Flood Fixtures for Juno Line Voltage Trac



EcoLEDgy<sup>™</sup>  
Driven



JUNO LIGHTING GROUP  
by Schneider Electric

# T256LED Series and T257LED Series ...

the ultimate energy-efficient fixtures for trac mounted wall wash applications.

The T256LED and T257LED Wall Wash/Flood fixtures offer high-quality, brilliant white light along with substantial energy savings. The T256LED Series produces up to 2,059 lumens from just 35 watts nominal, while the T257LED Series produces up to 4,125 lumens from just 70 watts nominal. Fixture efficacy is as high as 59 lumens per watt, making them nearly as energy efficient as fixtures employing comparable CMH light sources. And with 50,000 hours of maintenance-free service, these LED fixtures are rated to operate 3-4 times longer than CMH.

The powerful, uniform light output from these fixtures is available in 2700K, 3000K, 3500K and 4100K color temperatures. High CRI of 80 is typical, and outstanding color consistency is achieved by mixing the right combination of ANSI-binned LEDs. Dimming capability is available with the "-DIM" option. T256LED and T257LED fixtures

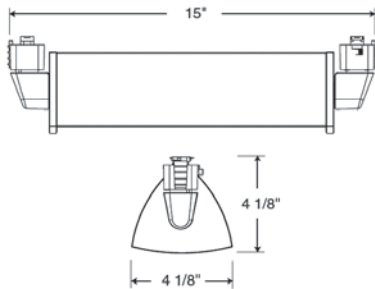
feature 90° vertical aiming in a low-profile housing that blends unobtrusively with Juno line voltage Trac systems. They provide the ideal wall wash or flood lighting solution for a wide variety of retail and commercial applications.

The slender fixture housing is constructed of extruded aluminum channels with die cast aluminum end caps. A custom-designed heat sink is built into the housing and provides outstanding thermal management, assuring that the LEDs will reach or exceed their rated service life. The housing exterior is offered in rich, textured white, black or silver finishes, while the interior surfaces have a matte white finish that produces a diffuse, uniform beam pattern. The fixtures are enclosed with a slightly diffuse lens that helps shield the LEDs and optical components from dust and other contaminants.

## T256LED



### DIMENSIONS



### PERFORMANCE DATA<sup>1</sup>

Catalog Number	Input Voltage	Watts (Typical)	Lumens	Efficacy (LPW)	Rated Life (Hours)
T256LED-27K	120V	35W	1698	49	50,000
T256LED-3K	120V	35W	1806	52	50,000
T256LED-35K	120V	35W	1932	55	50,000
T256LED-4K	120V	35W	2059	59	50,000

<sup>1</sup>Performance data, including Rated Life, is based on measurements of an individual fixture operating in a 25°C ambient.

### PHOTOMETRIC DATA

T256LED	Distance from Ceiling	Single Fixture Performance					Multiple Fixture Performance						
		0	1'	2'	3'	4'	5'	←4'→	←5'→	←6'→	←7'→		
Trac 3' from Wall	1'	32	28	20	13	6	3	46	43	46	38	34	38
	2'	64	55	37	20	10	5	84	79	84	74	57	74
	3'	55	49	35	21	11	6	80	76	80	68	58	68
	4'	34	31	25	17	10	6	57	57	57	47	44	47
	5'	19	18	15	11	8	5	38	38	38	31	30	31
	6'	11	11	9	8	6	4	25	25	25	20	20	20
	7'	7	6	6	5	4	3	17	17	17	14	14	14
	8'	4	4	4	3	3	2	12	12	12	10	10	10
	9'	3	3	2	2	2	2	8	8	8	7	7	7

### PRODUCT CODES

Catalog Number	Color Temperature	Finish
T256LED-27K-WH	2700K	White
T256LED-27K-BL	2700K	Black
T256LED-27K-SL	2700K	Silver
T256LED-3K-WH	3000K	White
T256LED-3K-BL	3000K	Black
T256LED-3K-SL	3000K	Silver
T256LED-35K-WH	3500K	White
T256LED-35K-BL	3500K	Black
T256LED-35K-SL	3500K	Silver
T256LED-4K-WH	4100K	White
T256LED-4K-BL	4100K	Black
T256LED-4K-SL	4100K	Silver

### FACTORY OPTIONS

Suffix	Description
-DIM	Dimming Driver Option

Add suffix to catalog number following LED color temperature  
Example: T256LED-3K-DIM-WH

### ELECTRICAL DATA

Input Voltage	120V
Input Current (max.)	0.32A
Power Factor	> 0.92
T.H.D.	< 20%

T256LED	Distance from Ceiling	Single Fixture Performance					Multiple Fixture Performance						
		0	1'	2'	3'	4'	5'	←4'→	←5'→	←6'→	←7'→		
Trac 4' from Wall	1'	13	12	10	8	6	4	26	24	26	20	19	20
	2'	29	27	21	15	10	6	51	49	51	41	39	41
	3'	37	34	27	19	12	7	63	63	63	52	50	52
	4'	31	29	24	18	12	8	59	59	59	48	47	48
	5'	22	21	18	14	10	7	47	47	47	38	38	38
	6'	15	14	12	10	8	6	35	35	35	28	28	28
	7'	10	9	8	7	6	5	25	25	25	21	21	21
	8'	6	6	6	5	4	4	18	19	18	15	15	15
	9'	4	4	4	4	3	3	14	14	14	11	11	11

<sup>4</sup> For 2700K multiply by 0.94; for 3500K multiply by 1.07; for 4100K multiply by 1.14.



T257LED

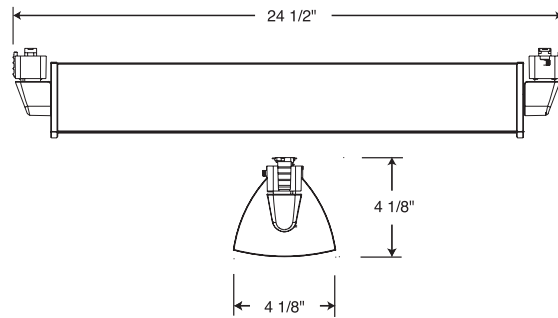


T256LED

## T257LED



### DIMENSIONS



### PERFORMANCE DATA<sup>1</sup>

Catalog Number	Input Voltage	Watts (Typical)	Lumens	Efficacy (LPW)	Rated Life (Hours)
T257LED-27K	120V	70W	3400	49	50,000
T257LED-3K	120V	70W	3620	52	50,000
T257LED-35K	120V	70W	3875	55	50,000
T257LED-4K	120V	70W	4125	59	50,000

<sup>1</sup>Performance data, including Rated Life, is based on measurements of an individual fixture operating in a 25°C ambient.

### PHOTOMETRIC DATA

T257LED	Distance from Ceiling	Single Fixture Performance					Multiple Fixture Performance						
		0	1'	2'	3'	4'	5'	←4'→		←5'→			
Trac 3' from Wall	0	62	54	40	26	13	3	89	84	89	74	67	74
	1'	118	105	74	41	20	10	160	154	160	138	115	138
	2'	107	96	69	40	23	12	156	150	156	133	112	133
	3'	67	62	49	32	20	12	111	113	111	93	87	93
	4'	36	35	30	23	15	10	72	74	72	58	59	58
	5'	20	20	18	15	11	8	48	49	48	39	40	39
	6'	12	12	11	9	8	6	33	33	33	27	27	27
	7'	8	7	7	6	5	4	22	23	23	19	19	19
	8'	5	5	4	4	3	3	16	16	16	13	13	13
	9'												

For 2700K multiply by 0.94; for 3500K multiply by 1.07; for 4100K multiply by 1.14.

### PRODUCT CODES

Catalog Number	Color Temperature	Finish
T257LED-27K-WH	2700K	White
T257LED-27K-BL	2700K	Black
T257LED-27K-SL	2700K	Silver
T257LED-3K-WH	3000K	White
T257LED-3K-BL	3000K	Black
T257LED-3K-SL	3000K	Silver
T257LED-35K-WH	3500K	White
T257LED-35K-BL	3500K	Black
T257LED-35K-SL	3500K	Silver
T257LED-4K-WH	4100K	White
T257LED-4K-BL	4100K	Black
T257LED-4K-SL	4100K	Silver

### FACTORY OPTIONS

Suffix	Description
-DIM	Dimming Driver Option

Add suffix to catalog number following LED color temperature  
Example: T257LED-3K-DIM-WH

### ELECTRICAL DATA

Input Voltage	120V
Input Current (max.)	0.64A
Power Factor	> 0.92
T.H.D.	< 20%

T257LED	Distance from Ceiling	Single Fixture Performance					Multiple Fixture Performance						
		0	1'	2'	3'	4'	5'	←5'→		←6'→			
Trac 4' from Wall	0	27	26	22	27	12	8	43	42	43	36	35	36
	1'	54	49	39	30	20	12	78	73	78	67	61	67
	2'	67	64	54	37	24	15	98	97	98	85	77	85
	3'	61	57	48	34	23	15	93	92	93	81	73	81
	4'	44	42	36	28	19	13	73	76	73	64	61	64
	5'	28	27	24	20	15	11	54	55	54	45	46	45
	6'	18	17	16	14	12	9	39	40	39	33	34	33
	7'	12	11	11	10	9	7	29	30	29	24	25	24
	8'	8	8	7	7	6	5	22	22	22	18	19	19
	9'												



**juno**<sup>®</sup>

Recessed and Trac Lighting

**indy**<sup>™</sup>

Architectural Recessed Lighting

**Alfa**<sup>™</sup>

Decorative Lighting Systems

**AccuLite**<sup>™</sup>

Commercial and Industrial Lighting

**AcuLux**<sup>®</sup>

Precision Recessed Lighting

**Navilite**<sup>™</sup>

Exit and Emergency Lighting

**DanaLite**

Architectural Linear Lighting

1300 South Wolf Road • Des Plaines, Illinois 60018  
PHONE 847.827.9880 • [www.junolightinggroup.com](http://www.junolightinggroup.com)

**Regional Offices & Warehouses**

California, Georgia, Illinois, Indiana, Pennsylvania, Texas, Ontario CN

LIT-JUNO-LEDWW-1



The marks appearing in this catalog are registered trademarks of Juno Lighting, LLC, unless otherwise noted.  
Products shown in this brochure are covered by U.S. and international patents and patents pending.  
Specifications subject to change without notice.

© 2010 JUNO LIGHTING INC

Printed in U.S.A. LIT-JUNO-LEDWW1 11/10