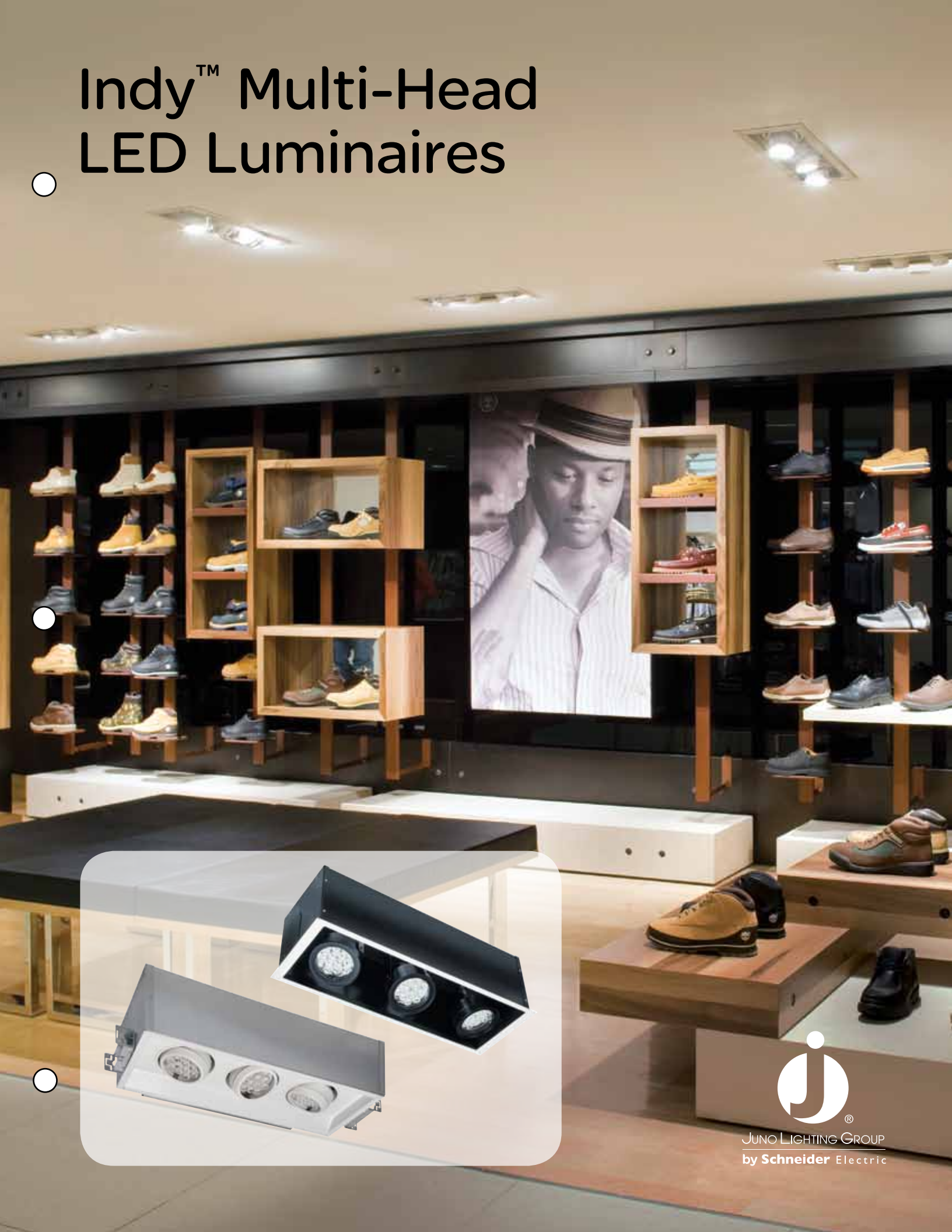


Indy™ Multi-Head LED Luminaires



JUNO LIGHTING GROUP
by Schneider Electric





Indy Multi-head LED Fixtures ...

Attractive, versatile
and ultra-efficient

Quality, flexibility, and good looks have endeared Indy Multi-Head Fixtures to retailers, designers, and installers alike. Now there's yet another reason to love these fixtures ... the energy and operational efficiencies of LED illumination.

Available in two distinctive designs – Multi-Spot® and Designer Cove™ – these fixtures feature one, two or three LED luminaires, each approximating the output of either 75-watt PAR30 halogen or 50-watt MR16 halogen. Depending on color temperature specified, total fixture output can be as much as 3,000 lumens. The luminaires are fully adjustable, making them ideal for accent or ambient lighting in a broad range of retail applications. And the fixtures recess into ceilings for a clean, uncluttered appearance.



Up to 3,000 lumens



Service life of 50,000 hours



Saving energy, saving money ... saving the planet

With an expected service life of 50,000 hours, Indy Multi-Head LED Fixtures reduce operating costs by providing 10 or more years of maintenance-free operation in typical retail installations. And with power consumption approximately 70% less than equivalent halogen, the energy savings are substantial. Even more savings result from reduced air-conditioning loads, thanks to the LED's infrared-free light beam that totally eliminates projected heat.

We like to say that Indy Multi-Head LED Fixtures are “EcoLEDgy” driven because they can make a meaningful contribution to the preservation of our environment. They have no UV or IR emissions; no toxic mercury, lead or PCBs, and when compared to CMH or CFL light sources, there are no disposability concerns. Whatever your retail application, LEDs are the environmentally responsible solution to meeting today's stringent energy codes and “green” initiatives.



Two fixture designs ... a world of possibilities

Indy Multi-Head LED Fixtures are available in two high-quality designs that offer retailers a wealth of flexibility and performance.

Indy LED Designer Cove

Designer Cove fixtures are available with one, two or three LED luminaires. Featuring an open housing design and fully adjustable yoke assembly, each luminaire can be rotated 355°, tilted up to 75° and locked into place. Vertical adjustment via the extendable yoke allows luminaires to be lowered 2" providing even greater aiming flexibility. Housings can be supplied either with a white trim flange or trimless.

Indy LED Multi-Spot

Multi-Spot fixtures feature an attractive closed-pan trim and integral snoots on the luminaires for improved shielding. One, two or three LED luminaires can be specified, each capable of 360° rotation and 45° tilt. All housings include a white trim flange.



Designer Cove or Multi-Spot ...

both offer the dependable construction that Indy is famous for. The housings are made of heavy-gauge steel, powder-coated in white or black. The durable luminaire heads include die-cast aluminum lens holders with white or black finishes to match the housing, and can accommodate up to two lens accessories. Cool operating LEDs allow luminaires to be "hot" aimed with bare hands and no tools.



Specify one, two or three LED luminaires.



Indy Multi-Head LED Fixtures ...

high performance accent lighting with LED efficiency

- A Designer Cove:**
Available with one, two or three LED luminaires. The open housing design allows the luminaires to be rotated 355°. Extendable yoke features 2" vertical adjustment allowing head to extend below ceiling and tilt up to 75°. Ideal for accent or ambient lighting in a broad range of retail applications.
- B Multi-Spot:**
Attractive closed-pan trim and integral snoots on the luminaires for improved shielding. One, two or three LED luminaires can be specified, each capable of 360° rotation and 45° tilt. Ideal for accent or ambient lighting in a broad range of retail applications.
- C** Available in smooth spot, narrow flood and flood beam patterns. Advanced technology, Lumileds LUXEON Rebel LEDs produce nearly 1,000 lumens* (PAR30 style) of consistent, bright-white light from only 22-watts input or 625 lumens* (MR16 style) from 15-watts input. Available in color temperatures of 2700K, 3000K and 4100K with 85 CRI minimum.
- D** LED color mix and tight ANSI-standard binning assures consistent bright-white light from each fixture.
- E** Ideal for accent or ambient lighting in a broad range of retail applications. Die cast aluminum lense holder can accommodate up to two lens accessories.
- F** 120/277V LED driver. Dimmable LED driver using Juno Lighting Group qualified 120V dimmers.
- G** Super-efficient heat sink assures service life of 50,000 hours or more; IR-free operation eliminates projected beam heat.
- H** Constructed of heavy-gauge steel, powder-coated in white or black.
- I** Removable / replaceable LED heads for changing color temperature, beam spread, or upgrading to new technology.
- J** Rotation and tilt lock. Vertical adjustment for up to 75° aiming.

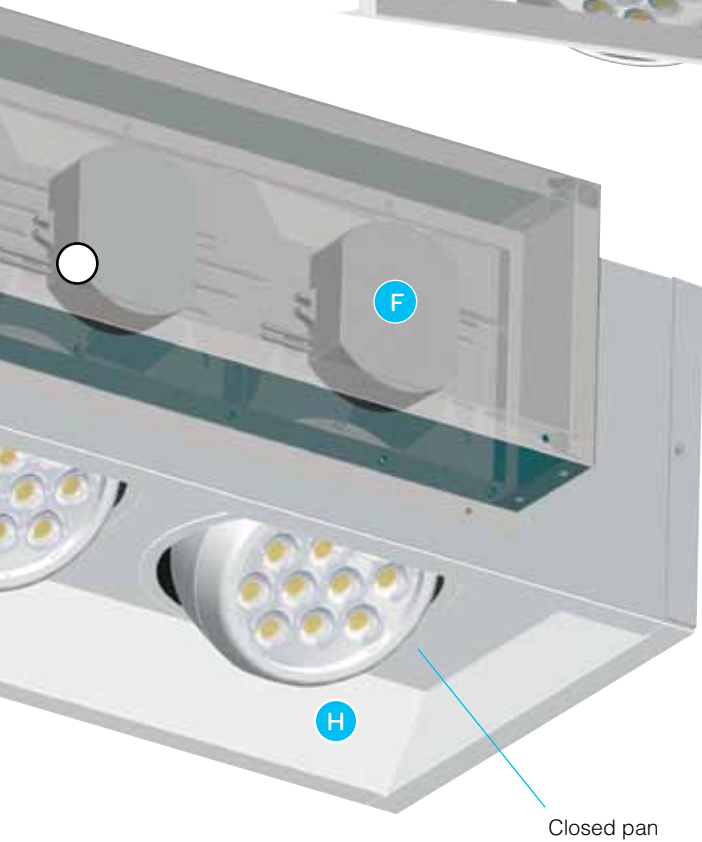
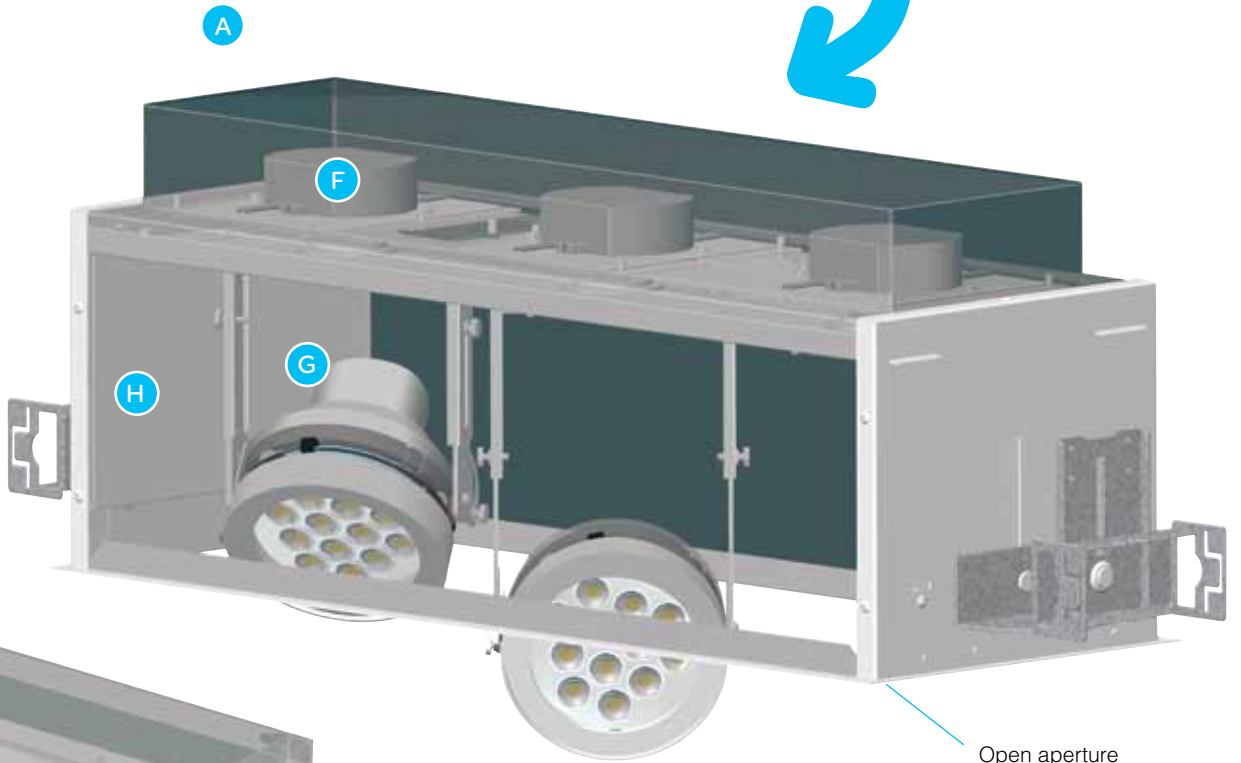
* Dependent on color temperature.

Indy Multi-Spot LED



Shown with optional snoot

Indy Designer Cove LED





Unsurpassed performance
and operating efficiencies.

Brilliant Retail Illumination

Indy Multi-Head LED Fixtures offer unsurpassed performance and operating efficiencies. The luminaires incorporate advanced technology, Lumileds LUXEON Rebel LEDs to produce up to 1,000 lumens of consistent, bright-white light from only 22-watts input, or up to 625 lumens from just 15 watts. That's illumination approximating 75-watt PAR30 halogen and 50-watt MR16 halogen respectively ... but at an energy savings of about 70%

Indy Multi-head LED Fixtures are offered in three beam-spreads, providing maximum versatility and spectacular performance:

22W Indy One-Head LED Luminaire 75W PAR30 Equivalent	15W Indy One-Head LED Luminaire 50W MR16 Equivalent
10° Spot with 20,000 CBCP	16° Spot with 5381 CBCP
23° Narrow Flood with 5,000 CBCP	19° Narrow Flood with 3896 CBCP
53° Flood with 1,100 CBCP	38° Flood with 1020 CBCP

CBCP = Center Beam Candle Power

Careful attention to the LED color mix and tight ANSI-standard binning assures consistent bright-white light from each LED head, and from fixture-to-fixture. Luminaire beam-spread is soft, gradual, and uniform. With 85 CRI typical and color temperatures of 2700K, 3000K, and 4100K, Indy Multi-Head LED Fixtures are the perfect lighting solution in a wide variety of retail settings. 120V dimming standard utilizing Juno Lighting Group qualified reverse phase dimmers.



The simple solution to accent lighting

While Indy Multi-Head LED Fixtures provide exceptional illumination and economy, they also fit nicely into virtually any environment that requires accent lighting. Indy Multi-Head LED Fixtures are typically supplied complete, with housing and luminaire heads ready for installation. However, housings and luminaires can also be ordered separately, if desired, so that housings can be roughed-in during ceiling installation. Once construction is completed, the luminaires can then be shipped and installed separately, keeping them clean and protecting them from potential damage.

The universal housing design installs quickly and easily in suspended grid, plaster or drywall ceilings. Mounting brackets have 3" vertical adjustment. For non-accessible ceilings, units can be specified with C-channel mounting bars. Light engines and drivers are easily accessed from above or below the ceiling to accommodate future technology upgrades.

Industry-leading efficiency and performance

Indy Multi-Head LED Fixtures offer dramatic energy savings and operational efficiencies when compared to equivalent halogen products and provide outstanding color rendering and illumination performance. See the chart below for all the exciting facts.

Indy 22W, 3K Multi-Spot LED 1-Head Luminaire Spot 10°	15W, 3K Indy Multi-Spot LED 1-Head Luminaire Spot 16°	Performance and Cost Comparison Over 50,000 Hour Fixture Life	75W PAR30 Halogen Spot 10°	50W MR16 Halogen Spot 15°
22.7	15.7	Watts	75	50
967	604	Lumens	1030	800
20,688	5,381	Center Beam Candlepower	13,000	9,100
43	39	Efficacy (Lumens/Watt)	14	16
3000K	3000K	Color Temperature	2830K	3050K
50,000	50,000	Rated Life (Hours)*	3,000	6,000
Operating Cost Summary				
\$113.50	\$78.50	Total Energy Cost per Fixture**	\$375.00	\$250.00
\$0.00	\$0.00	Maintenance Cost per Fixtures***	\$416.00	\$208.00
\$113.50	\$78.50	Total Operating Costs	\$791.00	\$458.00
\$677.50	\$379.50	Total Savings per Fixture		

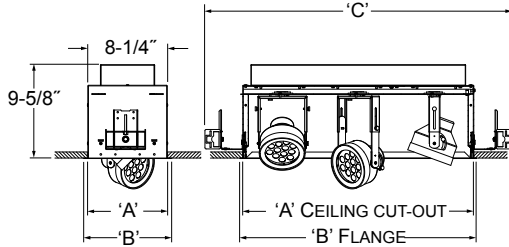
* Halogen rated life is based on 50% lamp failure; LED rated life is based on 0% failure with 70% lumen maintenance.

** Based on electricity costs of \$0.10 per kilowatt hour.

*** Replacement Cost per lamp + Replacement Labor Cost x Number of Lamp Changes Over 50,000 Hours.

Indy Designer Cove™ LED 1,000 Lumen Recessed Adjustables

Designer Cove LED fixtures offer unsurpassed versatility and operating efficiencies for a wide variety of retail lighting applications.

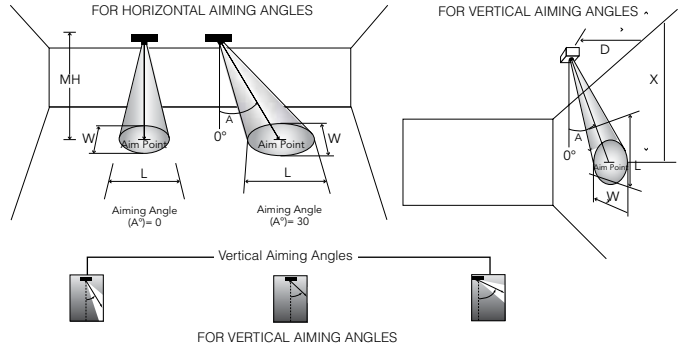
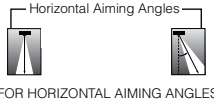


Dimensions

# of Heads	Ceiling Cut-out 'A'	Trim Flange Dimension 'B'	Dimension 'C'
1	8-1/4" x 8-1/4"	9" x 8-7/8"	16"
2	8-1/4" x 15-7/8"	9" x 16-1/2"	23-3/4"
3	8-1/4" x 23-3/4"	9" x 24-3/4"	31-1/2"

Photometric Data

CBPCP - Centerbeam candlepower
 FC - Footcandles at beam center (aim point)
 In vertical aiming applications, aim point (X) is determined by dividing distance from the wall (D) by the tangent of the desired aim angle (A) 0.5774 for 30°, 1.0 for 45°, 1.732 for 60°.



Head	Beam Type	Beam Spread	Rated Life	CBPCP	0°		30°			30°			45°			60°									
					MH	FC	L	W	FC	L	W	D	FC	X	L	W	FC	X	L	W	D	FC	X	L	W
22W LED 3000K Spot	S	10°	50000	20688	8	323	1.4	1.4	210	1.9	1.6	4	162	6.9	2.9	1.4	457	4.0	1.4	1.0	6	373	3.5	1.4	1.2
					10	207	1.7	1.7	134	2.3	2.0	6	72	10.4	4.3	2.1	203	6.0	2.1	1.5	9	166	5.2	2.1	1.8
					12	144	2.1	2.1	93	2.8	2.4	8	40	13.9	5.7	2.8	114	8.0	2.8	2.0	12	93	6.9	2.8	2.4
					14	106	2.4	2.4	69	3.3	2.8	10	26	17.3	7.2	3.5	73	10.0	3.5	2.5	15	60	8.7	3.5	3.0
					16	81	2.8	2.8	52	3.7	3.2	12	18	20.8	8.6	4.2	51	12.0	4.2	3.0	18	41	10.4	4.2	3.6
22W LED, 3000K Narrow Flood	N	23°	50000	5119	4	320	1.6	1.6	208	2.2	1.9	2	160	3.5	3.7	1.6	452	2.0	1.7	1.2	4	208	2.3	2.2	1.9
					6	142	2.4	2.4	92	3.3	2.8	3	71	5.2	5.6	2.4	201	3.0	2.5	1.7	6	92	3.5	3.3	2.8
					8	80	3.3	3.3	52	4.4	3.8	4	40	6.9	7.4	3.3	113	4.0	3.4	2.3	8	52	4.6	4.4	3.8
					10	51	4.1	4.1	33	5.5	4.7	5	26	8.7	9.3	4.1	72	5.0	4.2	2.9	10	33	5.8	5.5	4.7
22W LED, 3000K Wide Flood	F	53°	50000	1139	3	127	3.0	3.0	82	4.3	3.5	2	36	3.5	**	4.0	101	2.0	5.3	2.8	2	185	1.2	2.9	2.3
					4	71	4.0	4.0	46	5.8	4.6	3	16	5.2	**	6.0	45	3.0	8.0	4.2	3	82	1.7	4.3	3.5
					5	46	5.0	5.0	30	7.2	5.8	4	9	6.9	**	8.0	25	4.0	10.6	5.6	4	46	2.3	5.8	4.6
					6	32	6.0	6.0	21	8.7	6.9	5	6	8.7	**	10.0	16	5.0	13.3	7.1	5	30	2.9	7.2	5.8
					7	23	7.0	7.0	15	10.1	8.1	6	4	10.4	**	12.0	11	6.0	15.9	8.5	6	21	3.5	8.7	6.9

The beam spread in degrees and the beam "L" and "W" in the above tables are computed at 50% of centerbeam candlepower and represent areas of "effective illumination".
 ** Due to steep aiming angle, length of beam extends beyond 25°.

Ordering Information

Complete Unit Ordering Information (Use when ordering complete fixture: rough-in housing, fixture head, options and accessories separately.)

Example: **DCS30-NN-1030-WH1**

Cat. #	Beam Spread/ One Per Head	Lumens	Color Temp.	Trimless	Finish	Generation	Options
DCS30	S Spot	10 1000 Lumens	27 2700K 30 3000K 40 4100K	NT	WH White BL Black	1	***F Fuse and Fuse Holder (Where *** = voltage) †CP Chicago Plenum †347 347 Volt

Example: **HB-TL**

Accessories	
HB-TL	Two 25" Tru-Lock Grid Ceiling Bar Hangers, Pair
HB-28	Two 28" C-Channel Bar Hangers, Pair
HB-52	Two 52" C-Channel Bar Hangers, Pair
LB-27	Two 27" Linear Bar Hangers, Pair
T569BL	Louwer - 3/4" Dia. with 1/2" Sq. Cells
T561	Med. Pink Color Filter
T562	Warm Red Color Filter
T563	Daylite Blue Color Filter
T564	Med. Blue Color Filter
T565	Med. Amber Color Filter
T566	Med. Green Color Filter
T5677	Prismatic Spread Lens
T5678	Linear Spread Lens
T5621	Uniformity Lens
T5619	Color Correction Lens/UV Filter

Individual Component Ordering Information

(Use when ordering complete fixture: rough-in housing, fixture head, options and accessories separately.)

Example: **DCSR303-10-WH1**

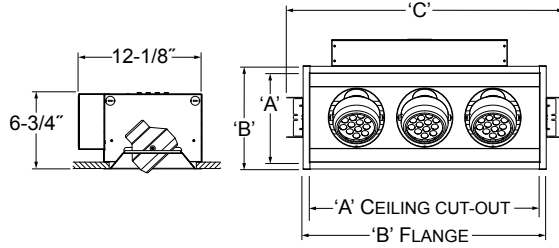
Rough-In	Lumens	Trimless	Finish	Generation	Options
DCSR301	10 1000 Lumens	NT	WH White BL Black	1	***F Fuse & Fuse Holder (Where *** = voltage) †CP Chicago Plenum †347 347 Volt
DCSR302	2-Head LED, PAR30 Size, Rough-in				
DCSR303	3-Head LED, PAR30 Size, Rough-in				† Consult factory for availability * Add "-NT" for trimless version

Example: **DCSH30N-1030-WH1**

Lamp Head/ Beam Spread	Lumens	Color Temp.	Finish	Generation
DCSH30S	10 1000 Lumens	27 2700K 30 3000K 40 4100K	WH White BL Black	1
DCSH30N	23° Narrow Flood LED Head			
DCSH30F	53° Flood LED Head			

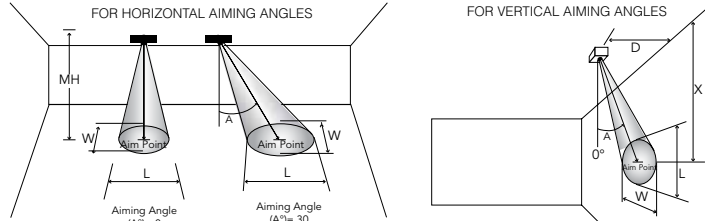
Indy Multi-Spot® LED 1,000 Lumen Recessed Adjustables

Multi-Spot LED fixtures offer an attractive, closed-pan design that integrates beautifully with any retail environment.



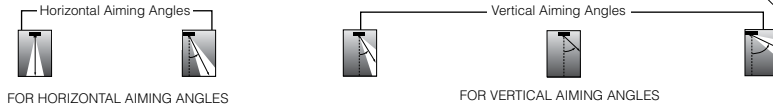
Dimensions

# of Heads	Ceiling Cut-out 'A'	Trim Flange Dimension 'B'	Dimension 'C'
1	8-1/2" x 8-5/8"	9-1/2" x 9-5/8"	12-7/8"
2	8-1/2" x 13-5/8"	9-1/2" x 14-5/8"	17-7/8"
3	8-1/2" x 22-5/8"	9-1/2" x 23-5/8"	26-7/8"



Photometric Data

CBCP - Centerbeam candlepower
 FC - Footcandles at beam center (aim point)
 In vertical aiming applications, aim point (X) is determined by dividing distance from the wall (D) by the tangent of the desired aim angle (A) 0.5774 for 30°, 1.0 for 45°, 1.732 for 60°.



Head	Beam Type	Beam Spread	Rated Life	CBCP	FOR HORIZONTAL AIMING ANGLES															FOR VERTICAL AIMING ANGLES														
					0°				30°				30°				45°				60°													
MH	FC	L	W	FC	L	W	D	FC	X	L	W	FC	X	L	W	D	FC	X	L	W														
22W LED, 3000K Spot	S	10°	50000	20688	8	323	1.4	1.4	210	1.9	1.6	4	162	6.9	2.9	1.4	457	4.0	1.4	1.0	6	373	3.5	1.4	1.2									
					10	207	1.7	1.7	134	2.3	2.0	6	72	10.4	4.3	2.1	203	6.0	2.1	1.5	9	166	5.2	2.1	1.8									
					12	144	2.1	2.1	93	2.8	2.4	8	40	13.9	5.7	2.8	114	8.0	2.8	2.0	12	93	6.9	2.8	2.4									
					14	106	2.4	2.4	69	3.3	2.8	10	26	17.3	7.2	3.5	73	10.0	3.5	2.5	15	60	8.7	3.5	3.0									
					16	81	2.8	2.8	52	3.7	3.2	12	18	20.8	8.6	4.2	51	12.0	4.2	3.0	18	41	10.4	4.2	3.6									
22W LED, 3000K Narrow Flood	N	23°	50000	5119	4	320	1.6	1.6	208	2.2	1.9	2	160	3.5	3.7	1.6	452	2.0	1.7	1.2	4	208	2.3	2.2	1.9									
					6	142	2.4	2.4	92	3.3	2.8	3	71	5.2	5.6	2.4	201	3.0	2.5	1.7	6	92	3.5	3.3	2.8									
					8	80	3.3	3.3	52	4.4	3.8	4	40	6.9	7.4	3.3	113	4.0	3.4	2.3	8	52	4.6	4.4	3.8									
					10	51	4.1	4.1	33	5.5	4.7	5	26	8.7	9.3	4.1	72	5.0	4.2	2.9	10	33	5.8	5.5	4.7									
					12	36	4.9	4.9	23	6.6	5.6	6	18	10.4	11.2	4.9	50	6.0	5.1	3.5	12	23	6.9	6.6	5.6									
22W LED, 3000K Wide Flood	F	53°	50000	1139	3	127	3.0	3.0	82	4.3	3.5	2	36	3.5	**	4.0	101	2.0	5.3	2.8	2	185	1.2	2.9	2.3									
					4	71	4.0	4.0	46	5.8	4.6	3	16	5.2	**	6.0	45	3.0	8.0	4.2	3	82	1.7	4.3	3.5									
					5	46	5.0	5.0	30	7.2	5.8	4	9	6.9	**	8.0	25	4.0	10.6	5.6	4	46	2.3	5.8	4.6									
					6	32	6.0	6.0	21	8.7	6.9	5	6	8.7	**	10.0	16	5.0	13.3	7.1	5	30	2.9	7.2	5.8									
					7	23	7.0	7.0	15	10.1	8.1	6	4	10.4	**	12.0	11	6.0	15.9	8.5	6	21	3.5	8.7	6.9									

The beam spread in degrees and the beam "L" and "W" in the above tables are computed at 50% of centerbeam candlepower and represent area of "effective illumination".
 ** Due to steep aiming angle, length of beam extends beyond 25'.

Ordering Information

Complete Unit Ordering Information (Use when ordering complete fixture: rough-in housing, fixture head, options and accessories separately.)

Example: **MSS30-NN-1030-WH1**

Cat. #	Beam Spread/One Per Head	Lumens	Color Temp.	Finish	Generation	Options
MSS30	S Spot	10 1000 Lumens	27 2700K	WH White	1	***F Fuse and Fuse Holder (Where *** = voltage)
1, 2, 3-Head LED, Multi-Spot, PAR30 Size, 120/277V	N Narrow Flood		30 3000K	BL Black		†CP Chicago Plenum
	F Flood		40 4100K			†347 347 Volt

Individual Component Ordering Information

(Use when ordering complete fixture: rough-in housing, fixture head, options and accessories separately.)

Example: **MSSR303-10-WH1**

Rough-In	Lumens	Finish	Generation	Options
MSSR301	10 1000 Lumens	WH White	1	***F Fuse and Fuse Holder (Where *** = voltage)
1-Head LED, PAR30 Size, Rough-in		BL Black		†CP Chicago Plenum
				†347 347 Volt
MSSR302				
2-Head LED, PAR30 Size, Rough-in				
MSSR303				† Consult factory for availability
3-Head LED, PAR30 Size,				

Example: **MSSH30N-1030-WH1**

Lamp/Beam Spread	Lumens	Color Temp.	Finish	Generation
MSSH30S	10 1000 Lumens	27 2700K	WH White	1
10° Spot LED Head		30 3000K	BL Black	
120/277V		40 4100K		
MSSH30N				
23° Narrow Flood LED Head				
120/277V				
MSSH30F				
53° Flood LED Head				
120/277V				

Example: **HB-TL**

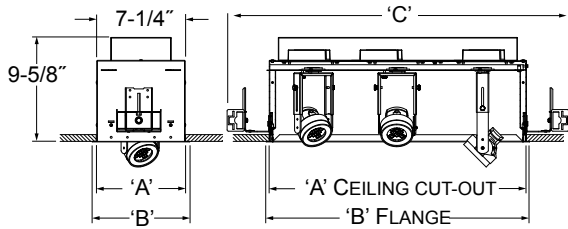
Accessories	
HB-TL	Two 25" Tru-Lock Grid Ceiling Bar Hangers, Pair
HB-28	Two 28" C-Channel Bar Hangers, Pair
HB-52	Two 52" C-Channel Bar Hangers, Pair
LB-27	Two 27" Linear Bar Hangers, Pair

T569BL	Louver - 3/4" Dia. with 1/2" Sq. Cells
T561*	Med. Pink Color Filter
T562*	Warm Red Color Filter
T563*	Daylite Blue Color Filter
T564*	Med. Blue Color Filter
T565*	Med. Amber Color Filter
T566*	Med. Green Color Filter
T5677*	Prismatic Spread Lens
T5678*	Linear Spread Lens
T5621*	Uniformity Lens
T5619	Color Correction Lens/UV Filter

*Not for use with Chicago Plenum

Indy Designer Cove™ LED 600 Lumen Recessed Adjustables

Designer Cove LED fixtures offer unsurpassed versatility and operating efficiencies for a wide variety of retail lighting applications.

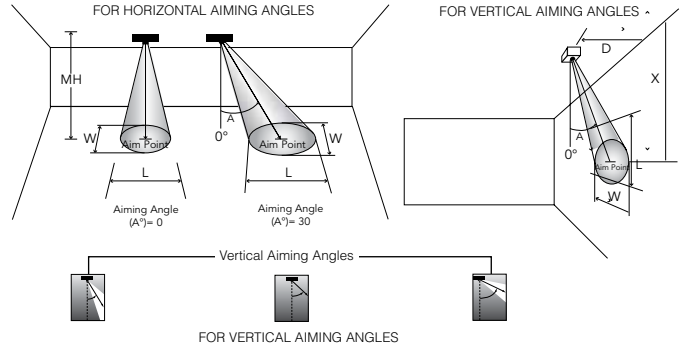
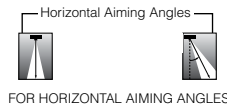


Dimensions

# of Heads	Ceiling Cut-out 'A'	Trim Flange Dimension 'B'	Dimension 'C'
1	7-1/4" x 7-1/4"	8" x 7-7/8"	15"
2	7-1/4" x 13-3/8"	8" x 14"	21"
3	7-1/4" x 23-3/4"	8" x 24-3/8"	31-1/2"

Photometric Data

CBCP - Centerbeam candlepower
 FC - Footcandles at beam center (aim point)
 In vertical aiming applications, aim point (X) is determined by dividing distance from the wall (D) by the tangent of the desired aim angle (A) 0.5774 for 30°, 1.0 for 45°, 1.732 for 60°.



Head	Beam Type	Beam Spread	Rated Life	CBCP	0°		30°			30°			45°			60°									
					MH	FC	L	W	FC	L	W	D	FC	X	L	W	FC	X	L	W	D	FC	X	L	W
15W LED, 3000K Spot	S	16°	50000	5381	4	336	1.1	1.1	218	1.5	1.3	3	75	5.2	3.6	1.7	211	3.0	1.7	1.2	4	218	2.3	1.5	1.3
					6	149	1.7	1.7	97	2.3	1.9	4	42	6.9	4.8	2.2	119	4.0	2.3	1.6	6	97	3.5	2.3	1.9
					8	84	2.2	2.2	55	3.0	2.6	5	27	8.7	6.0	2.8	76	5.0	2.9	2.0	8	55	4.6	3.0	2.6
					10	54	2.8	2.8	35	3.8	3.2	6	19	10.4	7.2	3.4	53	6.0	3.4	2.4	10	35	5.8	3.8	3.2
					12	37	3.4	3.4	24	4.5	3.9	7	14	12.1	8.4	3.9	39	7.0	4.0	2.8	12	24	6.9	4.5	3.9
15W LED, 3000K Narrow Flood	N	19°	50000	3896	4	244	1.3	1.3	24	4.5	3.9	2	122	3.5	2.9	1.3	344	2.0	1.4	0.9	4	158	2.3	1.8	1.5
					6	108	2.0	2.0	70	2.7	2.3	3	54	5.2	4.4	2.0	153	3.0	2.1	1.4	6	70	3.5	2.7	2.3
					8	61	2.7	2.7	40	3.6	3.1	4	30	6.9	5.8	2.7	86	4.0	2.8	1.9	8	40	4.6	3.6	3.1
					10	39	3.3	3.3	25	4.5	3.9	5	19	8.7	7.3	3.3	55	5.0	3.4	2.4	10	25	5.8	4.5	3.9
					12	27	4.0	4.0	18	5.4	4.6	6	14	10.4	8.8	4.0	38	6.0	4.1	2.8	12	18	6.9	5.4	4.6
15W LED, 3000K Flood	F	38°	50000	1020	3	113	2.1	2.1	74	2.9	2.4	1	128	1.7	4.3	1.4	361	1.0	1.6	1.0	2	166	1.2	1.9	1.6
					4	64	2.8	2.8	41	3.8	3.2	2	32	3.5	8.6	2.8	90	2.0	3.1	1.9	3	74	1.7	2.9	2.4
					5	41	3.4	3.4	27	4.8	4.0	3	14	5.2	12.8	4.1	40	3.0	4.7	2.9	4	41	2.3	3.8	3.2
					6	28	4.1	4.1	18	5.7	4.8	4	8	6.9	17.1	5.5	23	4.0	6.3	3.9	5	27	2.9	4.8	4.0
					7	21	4.8	4.8	14	6.7	5.6	5	5	8.7	21.4	6.9	14	5.0	7.8	4.9	6	18	3.5	5.7	4.8

The beam spread in degrees and the beam "L" and "W" in the above tables are computed at 50% of centerbeam candlepower and represent areas of "effective illumination".
 ** Due to steep aiming angle, length of beam extends beyond 25'.

Ordering Information

Complete Unit Ordering Information (Use when ordering complete fixture: rough-in housing, fixture head, options and accessories separately.)

Example: **DCS16-NN-0630-WH1**

Cat. #	Beam Spread/One Per Head	Lumens	Color Temp.	Trimless	Finish	Generation	Options
DCS16	S Spot	06 600 Lumens	27 2700K	*	WH White	1	***F Fuse and Fuse Holder (Where *** = voltage)
1, 2, 3-Head LED, Designer Cove, MR16 Size 120/277V	N Narrow Flood		30 3000K	NT	BL Black		†CP Chicago Plenum
	F Flood		40 4100K				†347 347 Volt

Example: **HB-TL**

Accessories
HB-TL Two 25" Tru-Lock Grid Ceiling Bar Hangers, Pair
HB-28 Two 28" C-Channel Bar Hangers, Pair
HB-52 Two 52" C-Channel Bar Hangers, Pair
LB-27 Two 27" Linear Bar Hangers, Pair

Individual Component Ordering Information

(Use when ordering complete fixture: rough-in housing, fixture head, options and accessories separately.)

Example: **DCSR163-06-WH1**

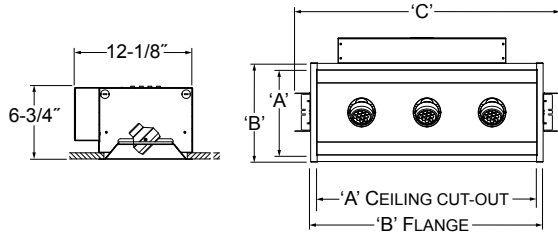
Rough-In	Lumens	Trimless	Finish	Generation	Options
DCSR161	06 600 Lumens	NT	WH White	1	***F Fuse & Fuse Holder (Where *** = voltage)
1-Head LED, MR16 Size, Rough-in			BL Black		†CP Chicago Plenum
DCSR162					†347 347 Volt
2-Head LED, MR16 Size, Rough-in					
DCSR163					† Consult factory for availability
3-Head LED, MR16 Size, Rough-in					* Add "-NT" for trimless version

Example: **DCSH16N-0630-WH1**

Lamp Head/Beam Spread	Lumens	Color Temp.	Finish	Generation
DCSH16S	06 600 Lumens	27 2700K	WH White	1
16° Spot LED Head 120/277V		30 3000K	BL Black	
DCSH16N		40 4100K		
19° Narrow Flood LED Head 120/277V				
DCSH16F				
38° Flood LED Head 120/277V				

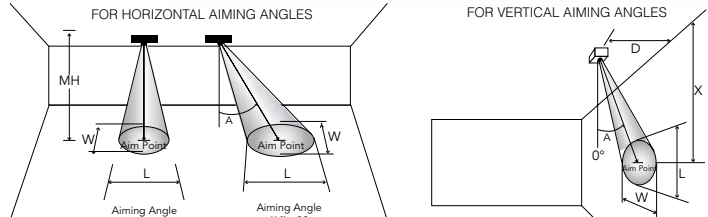
Indy Multi-Spot® LED 600 Lumen Recessed Adjustables

Multi-Spot LED fixtures offer an attractive, closed-pan design that integrates beautifully with any retail environment.



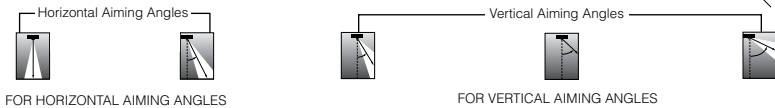
Dimensions

# of Heads	Ceiling Cut-out 'A'	Trim Flange Dimension 'B'	Dimension 'C'
1	8-1/2" x 8-5/8"	9-1/2" x 9-5/8"	12-7/8"
2	8-1/2" x 13-5/8"	9-1/2" x 14-5/8"	17-7/8"
3	8-1/2" x 22-5/8"	9-1/2" x 23-5/8"	26-7/8"



Photometric Data

CBCP - Centerbeam candlepower
 FC - Footcandles at beam center (aim point)
 In vertical aiming applications, aim point (X) is determined by dividing distance from the wall (D) by the tangent of the desired aim angle (A) 0.5774 for 30°, 1.0 for 45°, 1.732 for 60°.



Head	Beam Type	Beam Spread	Rated Life	CBCP	0°					30°			30°			45°			60°						
					MH	FC	L	W	FC	L	W	D	FC	X	L	W	FC	X	L	W	D	FC	X	L	W
15W LED, 3000K Spot	S	16°	50000	5381	4	336	1.1	1.1	218	1.5	1.3	3	75	5.2	3.6	1.7	211	3.0	1.7	1.2	4	218	2.3	1.5	1.3
					6	149	1.7	1.7	97	2.3	1.9	4	42	6.9	4.8	2.2	119	4.0	2.3	1.6	6	97	3.5	2.3	1.9
					8	84	2.2	2.2	55	3.0	2.6	5	27	8.7	6.0	2.8	76	5.0	2.9	2.0	8	55	4.6	3.0	2.6
					10	54	2.8	2.8	35	3.8	3.2	6	19	10.4	7.2	3.4	53	6.0	3.4	2.4	10	35	5.8	3.8	3.2
					12	37	3.4	3.4	24	4.5	3.9	7	14	12.1	8.4	3.9	39	7.0	4.0	2.8	12	24	6.9	4.5	3.9
15W LED, 3000K Narrow Flood	N	19°	50000	3896	4	244	1.3	1.3	24	4.5	3.9	2	122	3.5	2.9	1.3	344	2.0	1.4	0.9	4	158	2.3	1.8	1.5
					6	108	2.0	2.0	70	2.7	2.3	3	54	5.2	4.4	2.0	153	3.0	2.1	1.4	6	70	3.5	2.7	2.3
					8	61	2.7	2.7	40	3.6	3.1	4	30	6.9	5.8	2.7	86	4.0	2.8	1.9	8	40	4.6	3.6	3.1
					10	39	3.3	3.3	25	4.5	3.9	5	19	8.7	7.3	3.3	55	5.0	3.4	2.4	10	25	5.8	4.5	3.9
					12	27	4.0	4.0	18	5.4	4.6	6	14	10.4	8.8	4.0	38	6.0	4.1	2.8	12	18	6.9	5.4	4.6
15W LED, 3000K Wide Flood	F	38°	50000	1020	3	112	2.1	2.1	74	2.9	2.4	1	128	1.7	4.3	1.4	361	1.0	1.6	1.0	2	166	1.2	1.9	1.6
					4	64	2.8	2.8	41	3.8	3.2	2	32	3.5	8.6	2.8	90	2.0	3.1	1.9	3	74	1.7	2.9	2.4
					5	41	3.4	3.4	27	4.8	4.0	3	14	5.2	12.8	4.1	40	3.0	4.7	2.9	4	41	2.3	3.8	3.2
					6	28	4.1	4.1	18	5.7	4.8	4	8	6.9	17.1	5.5	23	4.0	6.3	3.9	5	27	2.9	4.8	4.0
					7	21	4.8	4.8	14	6.7	5.6	5	5	8.7	21.4	6.9	14	5.0	7.8	4.9	6	18	3.5	5.7	4.8

The beam spread in degrees and the beam "L" and "W" in the above tables are computed at 50% of centerbeam candlepower and represent area of "effective illumination".
 ** Due to steep aiming angle, length of beam extends beyond 25'.

Ordering Information

Complete Unit Ordering Information (Use when ordering complete fixture: rough-in housing, fixture head, options and accessories separately.)

Example: **MSS16-NN-0630-WH1**

Cat. #	Beam Spread/One Per Head	Lumens	Color Temp.	Finish	Generation	Options
MSS16	S Spot	06 600 Lumens	27 2700K	WH White	1	***F Fuse and Fuse Holder (Where *** = voltage)
1, 2, 3-Head LED, Multi-Spot, MR16 Size, 120/277V	N Narrow Flood		30 3000K	BL Black		†CP Chicago Plenum
	F Flood		40 4100K			†347 347 Volt

Example: **HB-TL**

Accessories
HB-TL Two 25" Tru-Lock Grid Ceiling Bar Hangers, Pair
HB-28 Two 28" C-Channel Bar Hangers, Pair
HB-52 Two 52" C-Channel Bar Hangers, Pair
LB-27 Two 27" Linear Bar Hangers, Pair

Individual Component Ordering Information

(Use when ordering complete fixture: rough-in housing, fixture head, options and accessories separately.)

Example: **MSSR163-06-WH1**

Rough-In	Lumens	Finish	Generation	Options
MSSR161	06 600 Lumens	WH White	1	***F Fuse & Fuse Holder (Where *** = voltage)
1-Head LED, MR16 Size, Rough-in		BL Black		†CP Chicago Plenum
				†347 347 Volt
MSSR162				
2-Head LED, MR16 Size, Rough-in				
MSSR163				† Consult factory for availability
3-Head LED, MR16 Size, Rough-in				

Example: **MSSH16N-0630-WH1**

Lamp/Beam Spread	Lumens	Color Temp.	Finish	Generation
MSSH16S	06 600 Lumens	27 2700K	WH White	1
16" Spot LED Head, 120/277V		30 3000K	BL Black	
		40 4100K		
MSSH16N				
19° Narrow Flood LED Head, 120/277V				
MSSH16F				
38° Flood LED Head, 120/277V				

T7459BL	Louver - 3/4" Dia. with 1/2" Sq. Cells
T741	Med. Pink Color Filter
T742	Warm Red Color Filter
T743	Daylite Blue Color Filter
T744	Med. Blue Color Filter
T745	Med. Amber Color Filter
T746	Med. Green Color Filter
T7477	Prismatic Spread Lens
T7478	Linear Spread Lens
T7421	Uniformity Lens
T7418	Color Correction Lens/UV Filter

Indy Multi-Head LED Luminaires

Two fixture designs both featuring



Designer Cove (DCS30) and Multi-Spot (MSS30) 75W PAR30 Equivalent

22-Watts

Up to 1063 lumens* per head

Available as one, two or three heads

Three beam spreads: 10° Spot, 23° Narrow Flood, 53° Flood

Three color temperatures: 2700K, 3000K, 4100K

Dimmable

Five Year Warranty

Designer Cove (DCS16) and Multi-Spot (MSS16) 50W MR16 Equivalent

15-Watts

Up to 673 lumens* per head

Available as one, two or three heads

Three beam spreads: 16° Spot, 19° Narrow Flood, 38° Flood

Three color temperatures: 2700K, 3000K, 4100K

Dimmable

Five Year Warranty

* Dependent on color temperature.

The Complete Package

Juno Lighting Group is a leader in offering high-quality, innovative commercial and residential lighting solutions and advanced system controls.

For more information visit:
www.junolightinggroup.com



Indy™ LED Downlights
Rounds, Squares and
Cylinders, ENERGY
STAR® Qualified



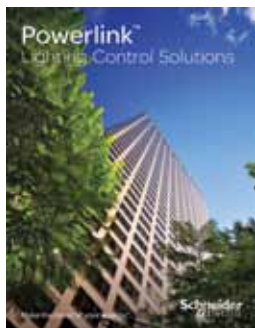
**Indy™ 2 X 2 LED
Luminaire**
Ziggurat and Parabolic
styles, drops in to
standard ceilings



**Juno Cylindra™ LED
Track Fixtures**
Winner of 2010
Next Generation
Luminaires™ Solid-
State Lighting
Competition



**Juno® LED Wall Wash /
Flood Fixtures**
Winner of 2010
Next Generation
Luminaires™ Solid-
State Lighting
Competition



**Schneider Electric
Powerlink™ Lighting
Control Solutions**
Reduce costs while
monitoring and
verifying savings

Juno Lighting, LLC.

1300 South Wolf Road
Des Plaines, IL 60018
Tel: 847-827-9880
Fax: 847-827-2457
www.junolightinggroup.com

LIT-INDYMH-LED



6 61209 30467 4



This document has been
printed on recycled paper