

STANDARD LENGTH HALOGEN
 10W or 20W Lamps
SH Series

Project: _____

Fixture Type: _____

Location: _____

Contact/Phone: _____

PRODUCT SPECIFICATIONS

Lamp Available with 10W or 20W G4 bi-pin halogen lamps with 2,000 hours life, 3000° Kelvin temperature and 99+ CRI
 • **Order lamps separately** (Refer to specification sheet E5.1.0 for lamp data).

For Standard Length Xenon, consult factory.

Lamp Socket Equipped with a patented (#5023765) swing-out socket which allows for easy relamping with no special tools required.

Construction Extruded aluminum with plastic end caps
 • Compact 1" square profile • Lamps spaced on 6" centers (except SH-10 which is on 5" centers) • Available in seven standard lengths.

Finishes Available in painted White (W) or Black (B) or Satin Aluminum (S) anodized finish.

Lens/Reflector Supplied with clear borosilicate glass lens to shield each lamp (Lensed halogen source is a UL requirement)
 • Frosted lens is available at additional cost (Refer to specification sheet E5.1.0 for lens options) • Reflector insert is 28 gauge Alzak® with a hammertone finish.

Transformer Refer to specification sheet E5.1.0 for remote and in-line transformer specifications • **Order transformer separately.**

Labels U.L. listed for damp locations • Union made
 • CSA certified.

Testing All reports are based on published industry procedures; field performance may differ from laboratory performance.

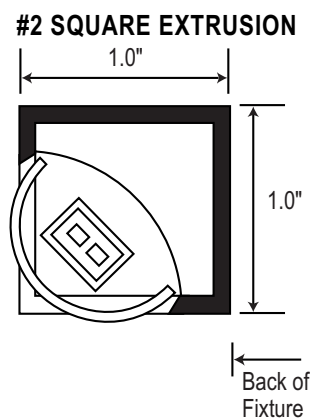
Product specifications subject to change without notice.

INSTALLATION

Application Economical choice for under/over cabinets, toe-kicks, built-in furniture and coves.

Mounting Hardware Supplied with MC1 mounting clips.

Electrical Supplied with 1/2" flex connector (adds 1/2" to overall length for end feed) and 60" of supply wire out of front • Standard flexible feed enables field conversion from front feed to end feed.


DIMENSIONS

ORDERING CODES - Example: SH-27-WH

CATALOG #*	ACTUAL LENGTH	TOTAL WATTAGE**	LAMP QTY / ON CENTER SPACING	FINISH OPTIONS
SH-10	10 1/2"	40	2/5" o.c.	W, B, S
SH-15	15 1/4"	40	2/6" o.c.	W, B, S
SH-21	21 1/4"	60	3/6" o.c.	W, B, S
SH-27	27 1/4"	80	4/6" o.c.	W, B, S
SH-33	33 1/4"	100	5/6" o.c.	W, B, S
SH-39	39 1/4"	120	6/6" o.c.	W, B, S
SH-45	45 1/4"	140	7/6" o.c.	W, B, S

* Complete catalog number by specifying finish.

** Based on 20W lamps.

TRANSFORMER OPTIONS

Refer to specification sheet E5.1.0 for additional information.

CATALOG #	TRANSFORMER #**	
	IN-LINE	REMOTE
SH-10	ETB6L	ETB6
SH-15	ETB6L	ETB6
SH-21	ETB6L	ETB6
SH-27	ETB10L	ETB10
SH-33	ETB10L	ETB10
SH-39	ETB15L	ETB15
SH-45	ETB15L	ETB15

**Based on 20W lamps.

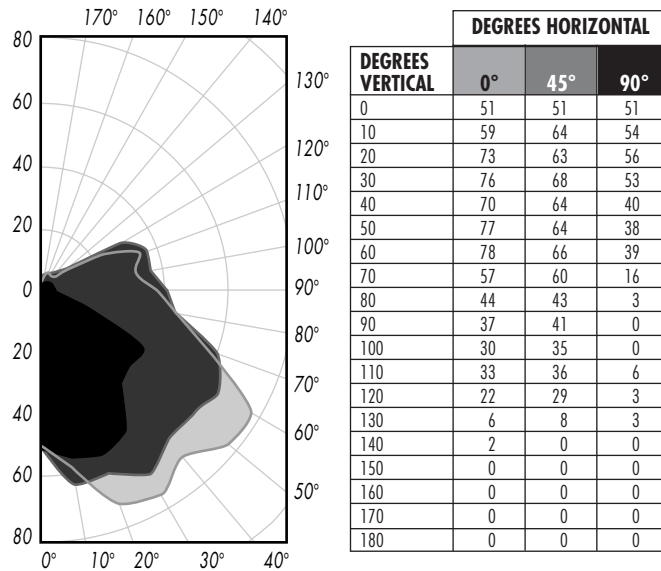
PHOTOMETRIC REPORT**Test Report #:** PRO2970507**Luminaire:** Standard Length Linear Halogen Fixture**Lamp:** One 20 watt G4 bi-pin SEQ lamp @ 350 lumens

Multiplier: 10 watt - 0.4

DANALITE

STANDARD LENGTH HALOGEN

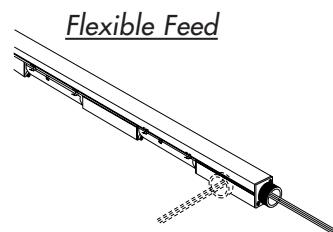
10W or 20W Lamps

SH Series**CANDELA DISTRIBUTION CURVE**

Candlepower shown for beam side quadrant. Refer to back of specification sheet E5.1.0 for further explanation.

FEED OPTIONS

All fixtures are supplied with 1/2" flex connector with 60" of supply wire through the front. When grouping fixtures, consult factory. Connection can be field adapted to end feed as illustrated below.

**MOUNTING HARDWARE** (See E5.1.0)**MC1**

Universal mounting clips supplied with standard length halogen.

Finishes: White or Black

MC4

Optional end mounting brackets for standard length halogen.

Finishes: Natural Aluminum, White or Black